

HLEL SERIES

Hazardous Location Emergency Light

- Class I, Division 2, Groups A, B, C & D
- Class I, Zone 2, Groups IIA, IIB (+ H₂) & IIC
- Class II, Division 2, Groups F & G
- UL 844 & UL 924



Emergensee[®]
Lighting Products, Inc.

America's Leader in Life-Safety Lighting Products™

HLEL SERIES

Hazardous Location Emergency Light

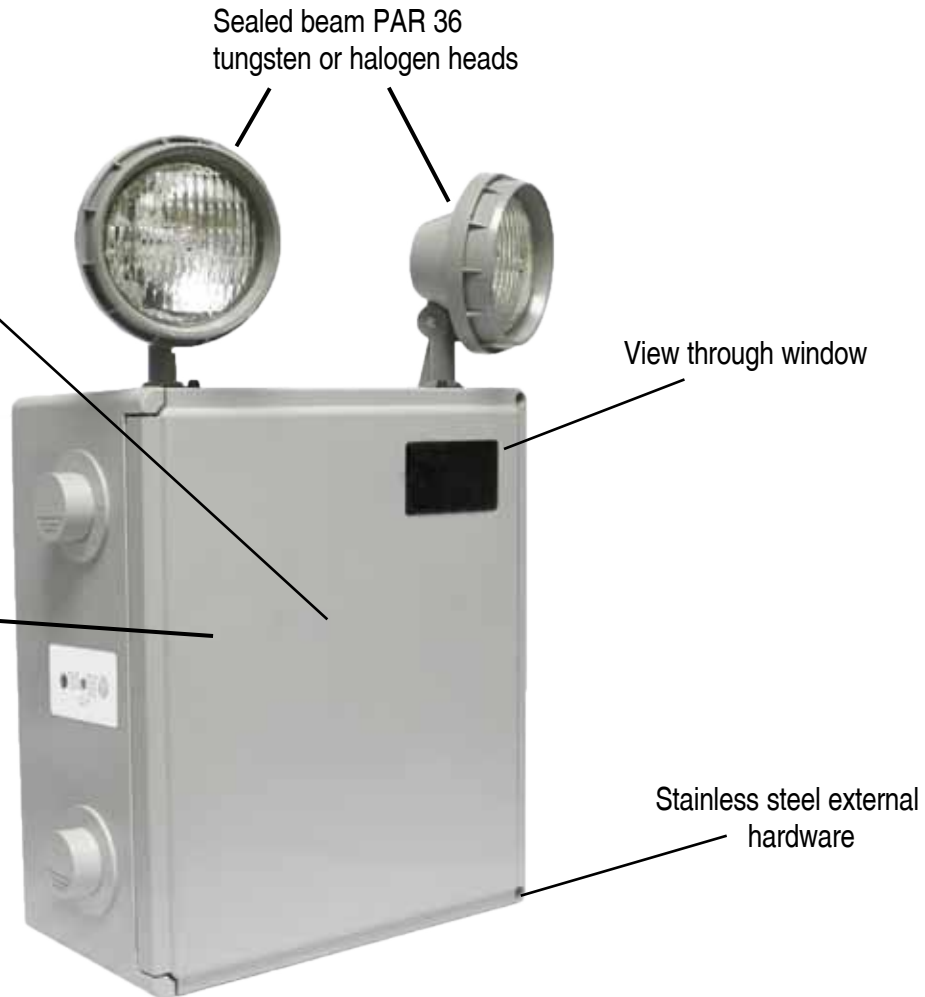
Charging system is microprocessor driven with software embedded diagnostic routine and temperature compensation. 120/277 VAC input, surge protection, brownout, AC lockout and low voltage disconnect features are standard.

Sealed beam PAR 36 tungsten or halogen heads

View through window

Impact resistant fiberglass reinforced polyester housing

Stainless steel external hardware



Maintenance free, sealed lead calcium battery has an estimated service life of five years and an operating temperature range of 65° F (19° C) to 85° F (30° C). Maintenance free, sealed nickel cadmium battery has an estimated service life of ten years, and at an operating temperature range of 65° F (19° C) to 85° F (30° C). Batteries supply 90 minutes of emergency power.

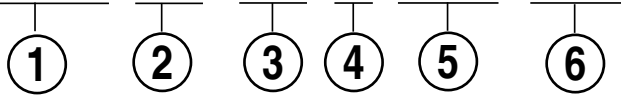
- Complies with NFPA 101, NEC, BOCA, OSHA and IBC Illumination Levels

HLEL Series

Hazardous Locations • Class I, Division 2 • Class I, Zone 2 • Class II, Division 2 • UL 844 • UL 924

Catalog Number Logic

HLEL



1

BASIC SERIES

HLEL Hazardous Location Emergency Light
 HLEL = Class I, Division 2, Groups A, B, C & D
 Class I, Zone 2, Groups IIA, IIB (+ H₂), & IIC
 Class II, Division 2, Groups F & G
 UL 844 & UL 924

2

UNIT WATTAGE

25 = 25 Watts
 50 = 50 Watts
 75 = 75 Watts
 100 = 100 Watts
 125 = 125 Watts
 150 = 150 Watts

3

BATTERY TYPE

S6 = 6V DC Sealed Lead Calcium
 S12 = 12V DC Sealed Lead Calcium
 N6 = 6V DC Sealed Nickel Cadmium
 N12 = 12V DC Sealed Nickel Cadmium

4

NUMBER OF HEADS

0 = Zero Heads (Blank)
 2 = Two Heads
 3 = Three Heads

5

LAMP HEAD TYPE

T68 = Tungsten, 6V DC, 8W
 T618 = Tungsten, 6V DC, 18W
 T625 = Tungsten, 6V DC, 25W
 T128 = Tungsten, 12V DC, 8W
 T1218 = Tungsten, 12V DC, 18W
 T1225 = Tungsten, 12V DC, 25W
 H68 = Halogen, 6V DC, 8W
 H612 = Halogen, 6V DC, 12W
 H128 = Halogen, 12V DC, 8W
 H1212 = Halogen, 12V DC, 12W

6

OPTIONS

A = Ammeter
 SD = Self Diagnostics
 ASD = Audible Self Diagnostics
 TD = Time Delay, 15 Minute
 V = Voltmeter

Certification Guide

OPERATING TEMPERATURE CODE

HLEL SERIES	CLASS I, DIVISION 2 GROUPS A, B, C & D	CLASS I, ZONE 2 GROUPS IIA, IIB (+ H ₂) & IIC	CLASS II, DIVISION 2 GROUPS F & G	AMBIENT TEMP. RATING
25-150 Watt	T3C (160°C/320°F)	T3 (200°C/392°F)	T3C (160°C/320°F)	25° C MAXIMUM

HLEL Series

Hazardous Locations • Class I, Division 2 • Class I, Zone 2 • Class II, Division 2 • UL 844 • UL 924



- Class I, Division 2, Groups A, B, C and D
- Class II, Division 2, Groups F and G
- Class I, Zone 2, Groups IIA, IIB and IIC
- UL 844 & 924
- Fiberglass reinforced polyester housing
- View through window
- Optional voltmeter and ammeter
- Self testing or manual testing
- Lead calcium or nickel cadmium battery
- Zero, two or three head options
- PAR 36 tungsten or halogen lamps
- Complies with NFPA 101, NEC, BOCA and IBC standards
- Meets Buy American requirements
- 120/277V 60 HZ Dual Voltage

Two Head with Tungsten Lamps & Lead Calcium Battery

Description	Watts	Catalog Number 120/277V 60 HZ	Shipping Weight (lbs.)	Description	Watts	Catalog Number 120/277V 60 HZ	Shipping Weight (lbs.)
6V Sealed Lead Calcium Battery 6V, 8 Watt Lamp	25	HLEL-25-S6-2-T68	27.0	12V Sealed Lead Calcium Battery 12V, 8 Watt Lamp	25	HLEL-25-S12-2-T128	33.0
	50	HLEL-50-S6-2-T68	31.0		50	HLEL-50-S12-2-T128	33.0
6V Sealed Lead Calcium Battery 6V, 18 Watt Lamp	25	HLEL-25-S6-2-T618	27.0		100	HLEL-100-S12-2-T128	41.0
	50	HLEL-50-S6-2-T618	31.0		125	HLEL-125-S12-2-T128	41.0
6V Sealed Lead Calcium Battery 6V, 25 Watt Lamp	25	HLEL-25-S6-2-T625	27.0	12V Sealed Lead Calcium Battery 12V, 18 Watt Lamp	50	HLEL-50-S12-2-T1218	33.0
	50	HLEL-50-S6-2-T625	31.0		100	HLEL-100-S12-2-T1218	41.0
6V Sealed Lead Calcium Battery 6V, 25 Watt Lamp	50	HLEL-50-S6-2-T625	41.0		125	HLEL-125-S12-2-T1218	41.0
	6V Sealed Lead Calcium Battery 6V, 25 Watt Lamp	50	HLEL-50-S6-2-T625	41.0	50	HLEL-50-S12-2-T1225	33.0
					100	HLEL-100-S12-2-T1225	41.0
125					HLEL-125-S12-2-T1225	41.0	

HLEL Series

Hazardous Locations • Class I, Division 2 • Class I, Zone 2 • Class II, Division 2 • UL 844 • UL 924



- Class I, Division 2, Groups A, B, C and D
- Class II, Division 2, Groups F and G
- Class I, Zone 2, Groups IIA, IIB and IIC
- UL 844 & 924
- Fiberglass reinforced polyester housing
- View through window
- Optional voltmeter and ammeter
- Self testing or manual testing
- Lead calcium or nickel cadmium battery
- Zero, two or three head options
- PAR 36 tungsten or halogen lamps
- Complies with NFPA 101, NEC, BOCA and IBC standards
- Meets Buy American requirements
- 120/277V 60 HZ Dual Voltage

Two Head with Tungsten Lamps & Nickel Cadmium Battery

Description	Watts	Catalog Number 120/277V 60 HZ	Shipping Weight (lbs.)	Description	Watts	Catalog Number 120/277V 60 HZ	Shipping Weight (lbs.)
6V Sealed Nickel Cadmium Battery 6V, 8 Watt Lamp	25	HLEL-25-N6-2-T68	27.0	12V Sealed Nickel Cadmium Battery 12V, 8 Watt Lamp	25	HLEL-25-N12-2-T128	33.0
	50	HLEL-50-N6-2-T68	31.0		50	HLEL-50-N12-2-T128	33.0
	75	HLEL-75-N6-2-T68	31.0		100	HLEL-100-N12-2-T128	41.0
			125		HLEL-125-N12-2-T128	41.0	
					150	HLEL-150-N12-2-T128	41.0
6V Sealed Nickel Cadmium Battery 6V, 18 Watt Lamp	50	HLEL-50-N6-2-T618	31.0	12V Sealed Nickel Cadmium Battery 12V, 18 Watt Lamp	25	HLEL-25-N12-2-T1218	33.0
	75	HLEL-75-N6-2-T618	31.0		50	HLEL-50-N12-2-T1218	33.0
					100	HLEL-100-N12-2-T1218	41.0
					125	HLEL-125-N12-2-T1218	41.0
					150	HLEL-150-N12-2-T1218	41.0
6V Sealed Nickel Cadmium Battery 6V, 25 Watt Lamp	50	HLEL-50-N6-2-T625	31.0	12V Sealed Nickel Cadmium Battery 12V, 25 Watt Lamp	25	HLEL-25-N12-2-T1225	33.0
	75	HLEL-75-N6-2-T625	31.0		50	HLEL-50-N12-2-T1225	33.0
					100	HLEL-100-N12-2-T1225	41.0
					125	HLEL-125-N12-2-T1225	41.0
					150	HLEL-150-N12-2-T1225	41.0

HLEL Series

Hazardous Locations • Class I, Division 2 • Class I, Zone 2 • Class II, Division 2 • UL 844 • UL 924



- Class I, Division 2, Groups A, B, C and D
- Class II, Division 2, Groups F and G
- Class I, Zone 2, Groups IIA, IIB and IIC
- UL 844 & 924
- Fiberglass reinforced polyester housing
- View through window
- Optional voltmeter and ammeter
- Self testing or manual testing
- Lead calcium or nickel cadmium battery
- Zero, two or three head options
- PAR 36 tungsten or halogen lamps
- Complies with NFPA 101, NEC, BOCA and IBC standards
- Meets Buy American requirements
- 120/277V 60 HZ Dual Voltage

Two Head with Halogen Lamps & Lead Calcium Battery

Description	Watts	Catalog Number 120/277V 60 HZ	Shipping Weight (lbs.)	Description	Watts	Catalog Number 120/277V 60 HZ	Shipping Weight (lbs.)
6V Sealed Lead Calcium Battery 6V, 8 Watt Lamp	25	HLEL-25-S6-2-H68	28.0	12V Sealed Lead Calcium Battery 12V, 8 Watt Lamp	25	HLEL-25-S12-2-H128	33.0
	50	HLEL-50-S6-2-H68	32.0		50	HLEL-50-S12-2-H128	33.0
6V Sealed Lead Calcium Battery 6V, 12 Watt Lamp	25	HLEL-25-S6-2-H612	27.0		100	HLEL-100-S12-2-H128	41.0
	50	HLEL-50-S6-2-H612	31.0		125	HLEL-125-S12-2-H128	41.0
6V Sealed Lead Calcium Battery 6V, 12 Watt Lamp	25	HLEL-25-S6-2-H612	27.0	25	HLEL-25-S12-2-H1212	33.0	
	50	HLEL-50-S6-2-H612	31.0	50	HLEL-50-S12-2-H1212	33.0	
				100	HLEL-100-S12-2-H1212	41.0	
				125	HLEL-125-S12-2-H1212	41.0	

Two Head with Halogen Lamps & Nickel Cadmium Battery

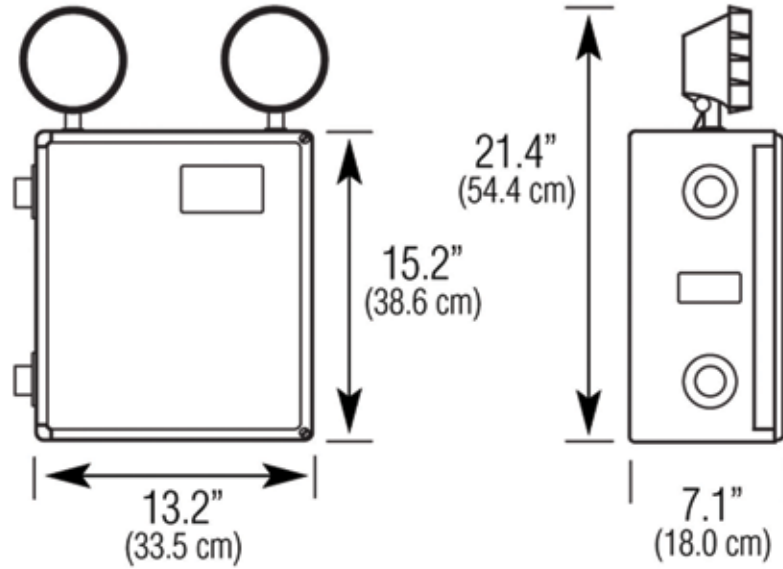
Description	Watts	Catalog Number 120/277V 60 HZ	Shipping Weight (lbs.)	Description	Watts	Catalog Number 120/277V 60 HZ	Shipping Weight (lbs.)
6V Sealed Nickel Cadmium Battery 6V, 8 Watt Lamp	25	HLEL-25-N6-2-H68	27.0	12V Sealed Nickel Cadmium Battery 12V, 8 Watt Lamp	25	HLEL-25-N12-2-H128	33.0
	50	HLEL-50-N6-2-H68	31.0		50	HLEL-50-N12-2-H128	33.0
	75	HLEL-75-N6-2-H68	31.0		100	HLEL-100-N12-2-H128	41.0
6V Sealed Nickel Cadmium Battery 6V, 12 Watt Lamp	25	HLEL-25-N6-2-H612	27.0		125	HLEL-125-N12-2-H128	41.0
	50	HLEL-50-N6-2-H612	31.0		150	HLEL-150-N12-2-H128	41.0
	75	HLEL-75-N6-2-H612	31.0	25	HLEL-25-N12-2-H1212	33.0	
				50	HLEL-50-N12-2-H1212	33.0	
				100	HLEL-100-N12-2-H1212	41.0	
				125	HLEL-125-N12-2-H1212	41.0	
				150	HLEL-150-N12-2-H1212	41.0	

TUNGSTEN • HALOGEN

HLEL Series

Hazardous Locations • Class I, Division 2 • Class I, Zone 2 • Class II, Division 2 • UL 844 • UL 924

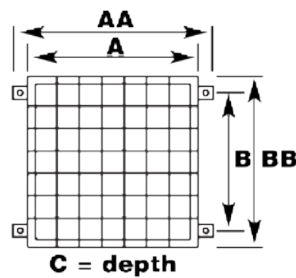
Dimensional Drawings



Accessories

	Catalog No.	Description	Shipping Weight (Lbs.)
	ICIR	Hand Held Infra-Red Remote Range: 30-40 feet	.25

WIRE GUARD	Catalog No.	Description	Shipping Weight (Lbs.)
	WG5	Standard Wire Guard	1.5



Wire Guard Dimensions

- A = 20.0"
- AA = 26.0"
- B = 20.0"
- BB = 26.0"
- C = 11.0"