

SEELEDRX5HL HIGH LUMEN LED EMERGENCY UNIT



STANDARD



ILLUMINATION

- Long lasting, efficient ultra bright white LED lamp heads.
- 1.7W (8 LEDs x 0.2125) per head.
- High performance chrome-plated metallized reflector and plastic lens for optimal light distribution.
- Adjustable LED lamp heads provides optimal center-to-center-spacing.

ELECTRICAL

- Dual 120/277 voltage.
- Charge rate/power "ON" LED indicator light and push-to-test-switch for mandated code compliance testing.
- 3.6V long life, maintenance-free, rechargeable NiCd battery.
- Internal solid-state transfer switch automatically connects the internal battery to LED lamp heads for minimum 90-minute emergency illumination.
- Fully automatic solid-state, two rate charger initiates battery charging to recharge a discharged battery in 24 hours.

MOUNTING

- Surface mount via easy connect back plate, which fits most standard junction boxes and snaps into place making internal electrical connections.
- Top and side knockout for conduit applications.
- Suitable for wall or ceiling mount.

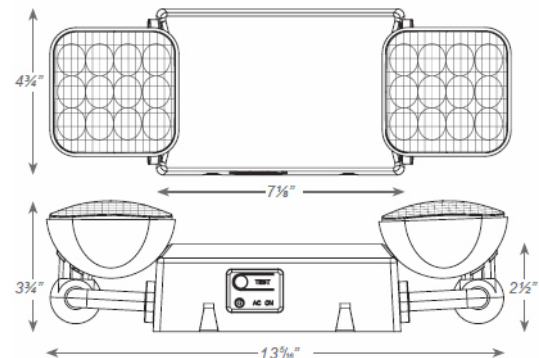
HOUSING

- Injection-molded, engineering grade, 5VA flame retardant, high-impact resistant, thermoplastic in white or black finish.

LISTINGS AND WARRANTIES

- Five year warranty on all electronics and housing. Batteries pro-rated for five years.
- UL Listed for damp locations (0°C – 40°C).
- Meets UL924, NFPA 101 Life Safety Code, NEC, OSHA, Local and State Codes.

DIMENSIONS



ORDERING INFORMATION

Sample Part Number: **SEELEDRX5HL**

MODEL	HOUSING COLOR	OPTIONS
SEELEDRX5HL	Blank - White B - Black	

Special voltage options available. Check with your Lighting Representative.

NOTE: Product specifications subject to change without notice. Updated 08.2017