



STANDARD

OPTIONAL



ILLUMINATION

- Two fully adjustable 5.4W glare-free lamp heads.
- Smooth thermoplastic reflector and plastic lens for optimal light distribution.

ELECTRICAL

- Dual 120/277 voltage standard. Optional multi-tap
- Charge rate/power "ON" LED indicator light and push-to-test switch for mandated code compliance testing.
- LVD (low voltage disconnect) prevents battery from deep discharge.
- 6V maintenance-free, rechargeable sealed lead acid battery.
- Internal solid-state transfer switch automatically connects the internal battery to lamp heads for minimum 90-minute emergency illumination.
- Fully automatic solid-state, two rate charger initiates battery charging to recharge a discharged battery in 24 hours.

MOUNTING

- Surface mount via easy connect back plate, which fits most standard junction boxes and snaps into place making internal electrical connections.
- Top and side knockout for conduit applications.
- Suitable for wall mount.

HOUSING

- Injection-molded, engineering grade, 5VA flame retardant, high-impact resistant, thermoplastic in white or black finish.

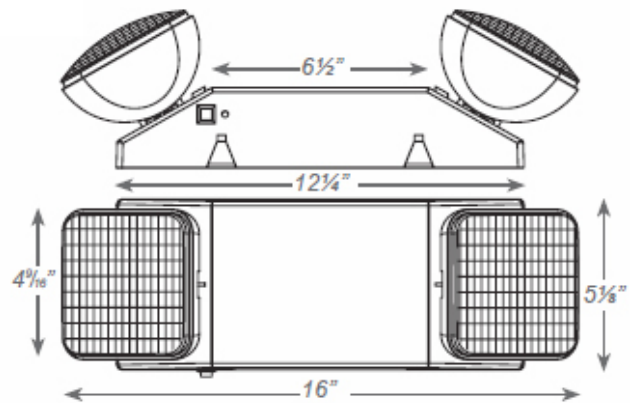
OPTIONS

- SDT: Self-diagnostic feature performs monthly, biannual, and annual tests to ensure reliable operation and meet electrical and life safety codes.
- HTR: Optional internal heater for cold temperature applications.
- USA: Substantial transformation assembly in the U.S. complies with "Assembled in the USA" under the Buy American Act.
- NC: Long life 6V maintenance-free, rechargeable NiCD battery.
- cUL: Units tested to meet requirements of CAN/CSA-c22.2 No. 141-02 standard for unit equipment.

LISTINGS AND WARRANTIES

- Five year warranty on all electronics and housing. Batteries pro-rated for five years.
- UL Listed for damp locations (20°C – 50°C).
- Meets UL924, NFPA 101 Life Safety Code, NEC, OSHA, Local and State Codes.

DIMENSIONS



ORDERING INFORMATION

Sample Part Number: **SEEM1**

MODEL	HOUSING COLOR	OPTIONS
SEEM1	W - White B - Black	SDT - Self-diagnostics NC - NiCad Battery HTR - Internal Heater USA - Assembled in USA cUL - cUL Listed RC - Remote Capable

NOTE: Product specifications subject to change without notice. Updated 08.2017