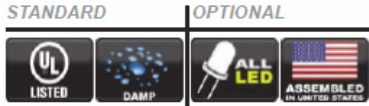


# SEEM6 SEMI-RECESSED MR-16 EMERGENCY UNIT

**Emergensee**  
Lighting Products, Inc.  
America's Leader in Life-Safety Lighting Products



## ILLUMINATION

- Two fully adjustable ultra bright, round, 7W, MR-16 halogen lamp heads standard.
- Optional 3.3W white LED lamp heads.

## ELECTRICAL

- Dual 120/277 voltage.
- Charge rate/power "ON" LED indicator light and push-to-test switch for mandated code compliance testing.
- LVD (low voltage disconnect) prevents battery from deep discharge.
- 6V maintenance-free, rechargeable sealed lead acid battery.
- Internal solid-state transfer switch automatically connects the internal battery to lamp heads for minimum 90-minute emergency illumination.
- Fully automatic solid-state, two rate charger initiates battery charging to recharge a discharged battery in 24 hours.

## MOUNTING

- Surface mount via easy connect back plate, which fits most standard junction boxes and snaps into place making internal electrical connections.
- Top and side knockout for conduit applications.
- Suitable for wall mount.

## HOUSING

- Injection-molded, engineering grade, 5VA flame retardant, high-impact resistant, thermoplastic in white or black finish.

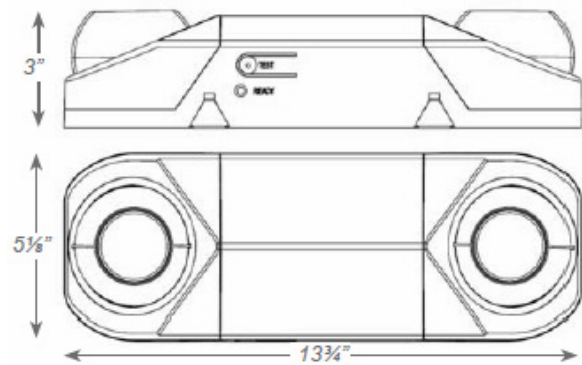
## OPTIONS

- USA: Substantial transformation assembly in the U.S. complies with "Assembled in the USA" under the Buy American Act.
- LED: 3.3W high performance MR-16 base LED lamps.

## LISTINGS AND WARRANTIES

- Five year warranty on all electronics and housing. Battery protected for two years.
- Meets UL924, NFPA 101 Life Safety Code, NEC, OSHA, Local and State Codes.
- UL Listed for damp locations (20°C – 40°C).

## DIMENSIONS



## ORDERING INFORMATION

Sample Part Number: **SEEM6**

MODEL	HOUSING COLOR	OPTIONS
SEEM6	Blank - White B - Black	USA - Assembled in USA LED - 3.3W High Lumen White LED Lamp

Special voltage options available. Check with your Lighting Representative.

NOTE: Product specifications subject to change without notice. Updated 08.2017