

SEEXPEX EXPLOSION-PROOF EDGE-LIT LED SIGN/EXIT LIGHT

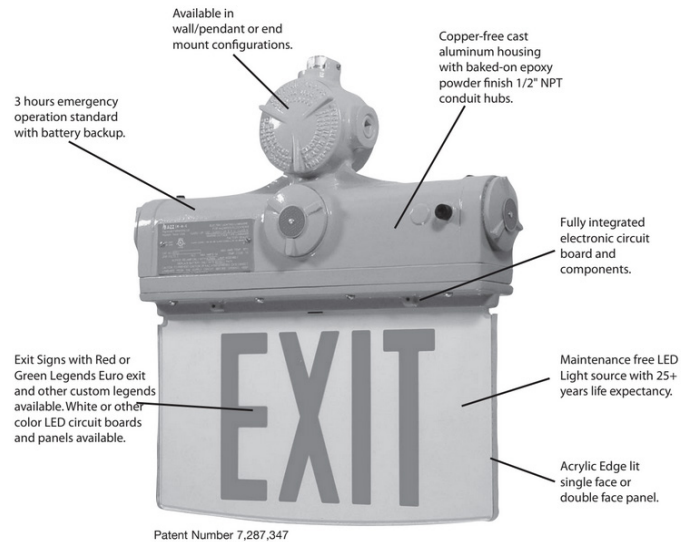
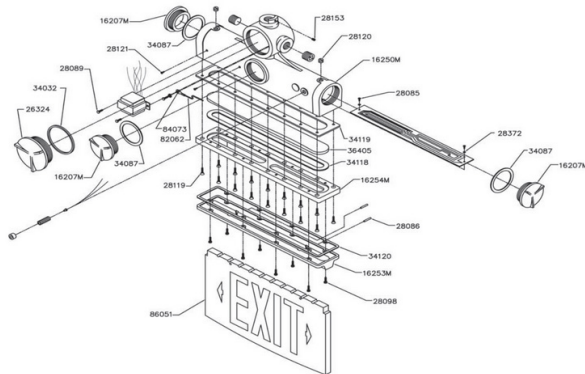
KEY FEATURES

- SEEXPEX series fixture uses a maintenance free LED light source with a 25 year life expectancy. It features a circuit board that uses a maximum 3.0 watt power consumption. Emergency fixtures meet or exceed NFPA70, NFPA101, EPA Energy Star and OSHA requirements. These fixtures are also suitable for installation in wet or damp locations where salt water spray is possible.

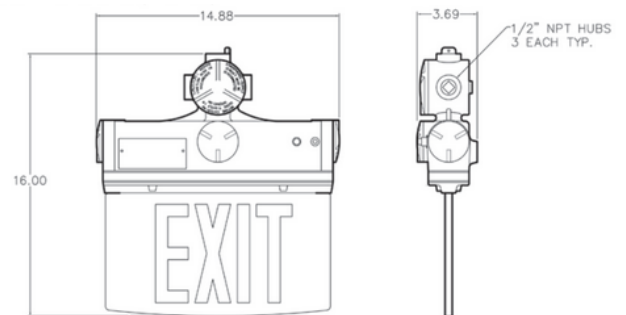
LISTINGS AND WARRANTY

- Class I, Division 1, Groups C & D
- Class I, Division 2, Groups A, B, C & D
- Class II, Division 1 & 2, Groups E, F & G
- Class III Division 1
- Zone 1, Groups IIA, IIB, Class I
- Zone 2, Groups IIA, IIB + H2 & IIC
- Marine Outside Type
- UL 1598A, 844 & 924
- Temperature Class (T-Rating)-T6
- Patent No. 7,287,347
- IP65

PARTS LIST



DIMENSIONS



Dimensions (inches)			Boxed Weight	Shipping Volume (Boxed Fixtures)
A	B	C		
14.88	3.59	15.00	15 lbs.	10.5 cu. ft.

ORDERING INFORMATION

Sample Part Number: **SEEXPEX-2-G-DT-WP-XX**

SERIES	# OF FACES	LEGEND COLOR	VOLTAGE	MOUNTING	OPTIONS ¹
SEEXPEX	1 = Single Face 2 = Double Face	R = Red G = Green X = Other (Contact Factory)	DT = 120/277V 60HZ 22 = 220V 50HZ 24 = 240V 60HZ Other Voltages Available. Consult Factory A/C Model: Listed for 40°C Maximum	WP = Wall/Pendant Mounting EB = End Bracket	EM = Emergency Battery Backup Battery Option: Listed for 10°C Minimum, 40°C Maximum EU = Euro Legends (Consult Factory for Full Range) X = Custom Legend (For Sign Light)

NOTE: Product specifications subject to change without notice. Updated 08.2017

¹Consult factory for pricing.