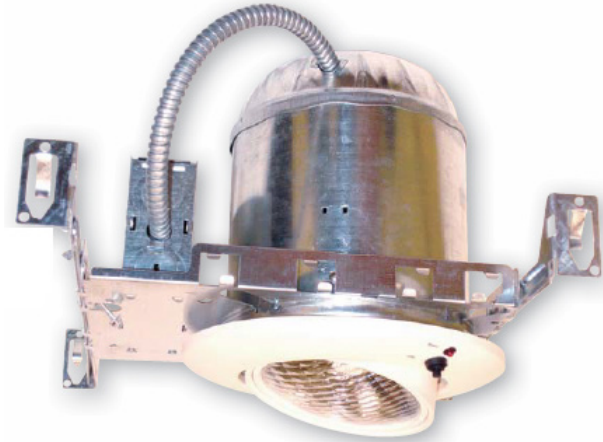


SEEM9 ADJUSTABLE RECESSED EMERGENCY DOWN-LIGHT UNIT



STANDARD



ILLUMINATION

- Adjustable ultra bright 8W bi-pin halogen lamp head.
- Sealed beam PAR36-type gimbal trim with smooth chromeplated-metallized reflector and plastic lens offers optimal light distribution.

ELECTRICAL

- Dual 120/277 voltage.
- Charge rate/power "ON" LED indicator light and push-to-test switch for mandated code compliance testing.
- LVD (low voltage disconnect) prevents battery from deep discharge.
- 6V maintenance-free, rechargeable sealed lead acid battery.
- Internal solid-state transfer switch automatically connects the internal battery to lamp heads for minimum 90-minute emergency illumination.
- Fully automatic solid-state, two rate charger initiates battery charging to recharge a discharged battery in 24 hours.

MOUNTING

- Compatible with drop ceiling mount installations. Bar hangers included.

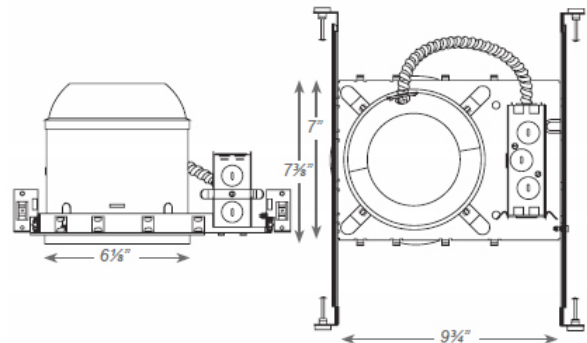
HOUSING

- Steel mounting frame and housing.
- 6" recessed housing with mounting bar hangers.
- Impact-resistant thermoplastic adjustable gimbal trim.
- Junction box with 3/4" knockouts for AC input.
- Trim securely attached to housing with spring clips.

LISTINGS AND WARRANTIES

- Five year warranty on all electronics and housing. Battery prorated for two years.
- Meets UL924, NFPA 101 Life Safety Code, NEC, OSHA, Local and State Codes.
- UL Listed for dry locations.

DIMENSIONS



ORDERING INFORMATION

Sample Part Number: **SEEM9**

MODEL	HOUSING COLOR	
SEEM9	Blank - White B - Black	GIMBAL

Special voltage options available. Check with your Lighting Representative.

NOTE: Product specifications subject to change without notice. Updated 08.2017