

SEEUE EXTERIOR WALL MOUNT LED OUTDOOR EGRESS WITH NIGHT LIGHTING OPTION



The Brightest Idea is Emergency Lighting with LEDs

GENERAL DESCRIPTION

SEEUE with die cast aluminum housing is designed for exterior use in wet locations but is also often used in interiors with potential hard use situations, such as gymnasiums, or hallways in apartment or condominium complexes. Optional night lighting can be controlled by photocell or switched circuit.



CONSTRUCTION

- Extremely compact die cast aluminum housing with molded polycarbonate lens. Standard finish white or bronze satin enamel paint; custom colors are available, including brushed aluminum anodized finishes.
- Universal J- Box mounting pattern.
- Contoured prismatic lens generates a uniform lighting pattern over required path of egress.
- Three versions are available:
RE = Remote for connection to Central Battery System
BB = Unit equipment with self-contained battery
AC = Remote for connection to AC 120/277 emergency supply.

ENERGY EFFICIENT OPERATION

- Optional dual function operation for normally on night or security lighting as well as emergency lighting.
- Very low power consumption in night/ security mode. The security lighting circuit is independent of emergency lighting and may be switched manually, by an exterior photocell, or other automatic means.
- Over 50,000 hour lamp life in normal use.
- IES photometric data available for all models.

LISTINGS AND WARRANTY

- Manufactured and tested to UL Standard 924 and NFPA Life Safety Code 101.
- 5 year total customer satisfaction warranty. For Details see product catalog technical data section.

ELECTRONICS

- Lamps are connected in parallel. If one lamp fails, one or more lamps will continue in operation.
- Universal 120/ 277 VAC input for standard battery or AC unit, or 24 VDC input for remote configuration.
- Power supply delivers regulated current and voltage to LED lamps at optimum levels to maximize lamp life.
- Automatic battery diagnostics available for all battery models.

SUGGESTED SPECIFICATIONS

- Install MOONLITE™ Series SEEUE Exterior Wall Mount LED emergency lighting fixture manufactured by Emergensee, available as unit equipment or as a remote device connected to a central battery power source. Upon loss of AC building power, lighting will be activated for a minimum of 90 minutes under battery power, in compliance with UL 924 and NFPA LSC Code 101. In remote configuration, the unit may be specified to operate continuously for security or night lighting, as required. The battery charger and power supply shall have universal input of 120/277 VAC, with brownout and LVD circuit protection. Auto battery diagnostics shall be available for all models, as specified and shall perform all test functions specified by UL 924 and NFPA 101. Suitable for Wet Locations, with ambient temperature ranges specified below.



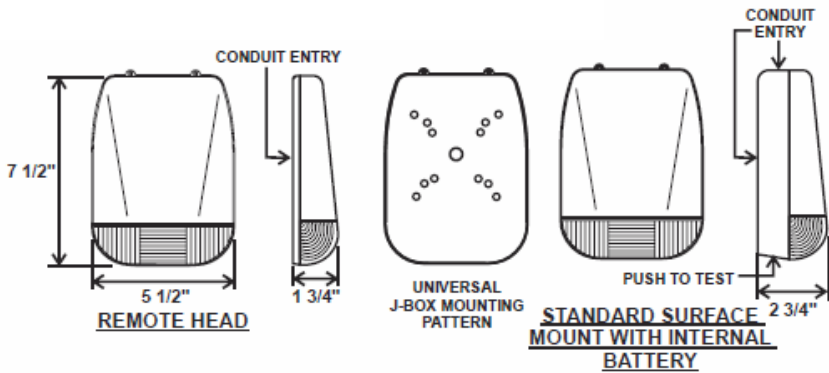
ORDERING INFORMATION

Sample Part Number: **SEEUE-BB-10-L2-W-DG**

MODEL	OPERATION	EMERGENCY POWER RATING	HOUSING COLOR	OPTIONS
SEEUE	BB= Battery Backup RE= Remote with Central Battery System AC= AC Supply 120/277V	10L2 = 10 Watts / 2 lamp 15L3 = 15 Watts / 3 Lamp 8L2 = 8 Watts AC 12L3 = 12 Watts AC	W=White B= Bronze 'X'=Custom	DG= Battery Diagnostics (BB Models) PH= Photocell Lighting Control (Available for RE & BB-DG models) LT= Low Temp -40°C in BB Models WD = Wash Down (RE Models Only) TD20 = 20 Minute Time Delay CTF= 90°Cutoff SM = Surface Mount (RE & AC Models Only) HPS = High Power in SEC Mode SW= Security Lighting with Switch Control

NOTE: Product specifications subject to change without notice. Updated 08.2017

MOUNTING & DIMENSIONS



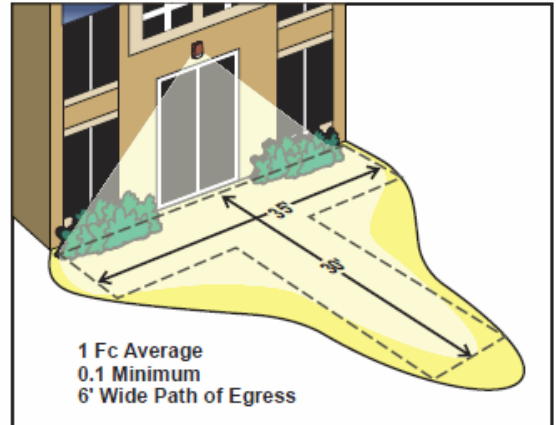
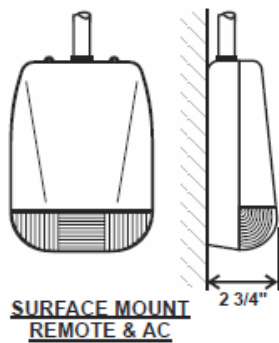
SUITABLE FOR WET LOCATIONS AMBIENT TEMPERATURE LIMITS:

"BB" models with "LT" option: -40° C to +30° C**
 Standard "BB" models: -20° C to +40° C
 Remote models: -40° C to +50° C**

** NOTE Security Lighting is REQUIRED for operations at -40°C

SELF-TEST DIAGNOSTIC FUNCTIONS BB MODELS WITH DG FUNCTION

STATUS	LED DISPLAY
NORMAL FULL CHARGE	GREEN ON
NORMAL FAST CHARGE	ORANGE ON
FAILED BATTERY	RED FLASH FAST
FAILED LAMP	GREEN FLASH
FAILED TRANSFER	ORANGE FLASH
FAILED CHARGER	RED FLASH SLOW



NOTE: TESTED IN ACCORDANCE WITH IES STANDARD LM-79-08 FOR SOLID STATE LIGHTING PRODUCTS. FOR REFERENCE ONLY. STANDARD REFLECTANCES 80/60/20. NOT RESPONSIBLE FOR SPECIFIC CONDITIONS THAT MAY ALTER THE RESULTS.

NORMALLY ON OPERATION of SECURITY(SEC)/ NIGHT LIGHTING

SEC CONTROL

RE Models: Requires SEC Option '-S' with CBS
BB Models: Requires Option '-SW'. 1 conductor (supplied) for connection to 120 VAC

SEC POWER as % of EPR* and HPS Option

RE Models: Standard 50% of EPR:
 HPS Option: 100% of EPR

BB Models: Standard 50% of EPR:
 HPS Option: 60%- 80% of EPR

* Emergency Power Rating