

Job Name: _____

Type: _____

Part #: _____

Notes: _____

SEELEDR1

LED Emergency Unit

STANDARD



OPTIONAL

ILLUMINATION

- Long lasting, efficient, ultra bright white LED lamp heads.
- 1W (8 LEDs x 0.125 watt) per head.
- High performance chrome-plated metallized reflector and plastic lens for optimal light distribution.
- Adjustable LED lamp heads provide optimal center-to-center-to-center spacing.

ELECTRICAL

- Dual 120/277 voltage standard. Optional multi-tap
- 208/220/240 voltage available.
- Charge rate/power "ON" LED indicator light and push-to-test switch for mandated code compliance testing.
- 3.6V long life, maintenance-free, rechargeable NiCd battery.
- Internal solid-state transfer switch automatically connects the internal battery to LED lamp heads for minimum 90-minute emergency illumination.
- Fully automatic solid-state, two rate charger initiates battery charging to recharge a discharged battery in 24 hours.

MOUNTING

- Surface mount via easy connect back plate, which fits most standard junction boxes and snaps into place making internal electrical connections.
- Top and side knockout for conduit applications.
- Suitable for wall or ceiling mount.

HOUSING

- Injection-molded, engineering grade, 5VA flame retardant, high-impact resistant, thermoplastic in white or black finish.



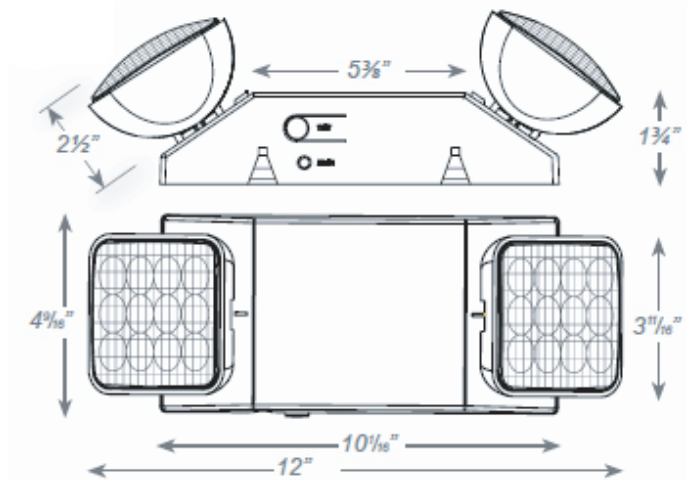
OPTIONS

- SDT: Self-diagnostic feature performs monthly, biannual, and annual tests to ensure reliable operation and meet electrical and life safety codes.
- HL: 12-LEDs per head provide increased center-to-center spacing.
- SPV: UL Listed for special voltage option.

LISTINGS AND WARRANTIES

- Five year warranty on all electronics and housing. Batteries pro-rated for five years.
- UL Listed for damp locations (0°C – 50°C).
- Meets UL924, NFPA 101 Life Safety Code, NEC, OSHA, Local and State Codes.

DIMENSIONS



ORDERING INFORMATION

Sample Part Number: **SEELEDR1**

MODEL	HOUSING COLOR	OPTIONS
SEELEDR1	Blank - White B - Black	SDT - Self-diagnostics SPV 208/220/240 Volt, 50/60Hz HL - High-Lumen RC - Remote Capable