

Job Name: _____

Type: _____

Part #: _____

Notes: _____

SEENYEM

NEW YORK APPROVED INCANDESCENT EMERGENCY LIGHTING



FEATURES

- Heavy duty construction
- NY approved housing
- UL listed for damp locations & meets UL924, NFPA 101 Life Safety Code, NEC, OSHA, Local and State Codes

ELECTRICAL

- Dual 120V/277V voltage
- Remote Capability available on 12V model
- Charge rate/power "ON" LED indicator light and push-to-test switch for mandated code compliance testing
- LVD (low voltage disconnect) prevents battery from deep discharge
- 6V, sealed lead acid, maintenance-free, rechargeable battery
- Internal solid-state transfer switch automatically connects the internal battery to lamp heads for minimum 90-minute emergency illumination
- Fully automatic solid-state, two-rate charger initiates battery charging to recharge a discharged battery in 24 hours

HOUSING

- Heavy 20-gauge steel construction
- White powder-coated finish
- Side and top conduit knockouts
- White or Black finish
- Thermoplastic emergency lamp heads

ORDERING INFORMATION

| MODEL | VOLTAGE | # OF HEADS | UNIT WATTAGE | LAMP WATTAGE | OPTIONS | HOUSING COLOR |
|---------|----------|-----------------|--------------|--------------|-----------------------------------|---------------|
| SEENYEM | 6 - 6V | 2 - TWO HEADS | 18 - 18W | 9 - 9W | NONE | BLANK - WHITE |
| | 6 - 6V | 3 - THREE HEADS | 27 - 27W | 9 - 9W | NONE | B - BLACK |
| | 12 - 12V | 3 - THREE HEADS | 50 - 50W | 12 - 12W | RC - REMOTE CONTROL (50W ONLY) | |



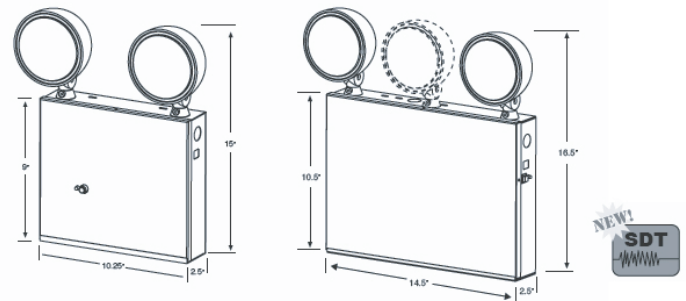
ILLUMINATION

- Adjustable, glare-free PAR-Type lamp heads
- Optional 3rd head included
- 6V model offers 9W lamps, standard
- 12V model offers 12W lamps, standard
- Remote Capability available on 12V model

WARRANTY & LISTINGS

- Five Year Warranty on all electronics and housing. Batteries are pro-rated warranted for 5 years.

DIMENSIONS



Sample Part Number: **SEENYEM-12-3-50-12-RC**