

Job Name: _____

Type: _____

Part #: _____

Notes: _____

SEENYEXDC

NEW YORK APPROVED LED DIE CAST ALUMINUM EXIT SIGN



Specify option "TP" for Tamper-Proof face plates



FEATURES

- Energy efficient LED technology
- NY approved spec-grade curved faceplate with 8" EXIT letters
- UL listed for damp locations & meets UL924, NFPA 101 Life Safety Code, NEC, OSHA, Local and State Codes

ELECTRICAL

- Dual 120V/277V voltage
- Charge rate/power "ON" LED indicator light and push-to-test switch for mandated code compliance testing
- LVD (low voltage disconnect) prevents battery from deep discharge
- Maintenance-free, rechargeable Ni-Cad battery (EM model)
- Internal solid-state transfer switch automatically connects the internal battery to LEDs for minimum 90-minute emergency illumination
- Fully automatic solid-state, two-rate charger initiates battery charging to recharge a discharged battery in 24 hours

MOUNTING

- Die cast aluminum housing and faceplate
- Die cast mounting canopy included (provides top, end or back mount convenience)
- Universal wall mounting K/O pattern

HOUSING

- Premium-grade, extruded aluminum housing (also available in black or white powder coated)
- Spec-grade curved faceplate
- Easily removable chevron directional indicators
- Unique design allows double face conversion in the field
- Quick-snap face plate closure

ILLUMINATION

- Ultra-bright, energy efficient Red LED
- NY approved 8" EXIT letters

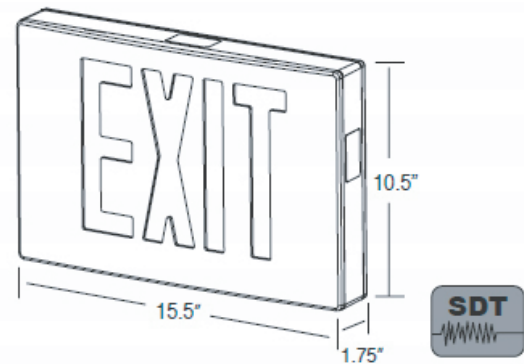
OPTIONS

- SDT: Self-Diagnostic (option SDT) continually diagnoses unit's performance and tests system (auto battery discharge once every 30 days and once every 12 months) to ensure reliable operation and to meet electrical and life safety codes
- TP: Screws in corners seal the unit, preventing access to unauthorized personnel
- Die-Cast EXIT panels available to order separately (contact customer service)

WARRANTY

- Five Year Warranty on all electronics and housing. Batteries are pro-rated warranted for 5 years

DIMENSIONS



Sample Part Number: **SEENYEXDC-2-R-B-A-EM-SDT**

ORDERING INFORMATION

MODEL	FACE	LETTER COLOR	HOUSING	FACE COLOR	BATTERY	OPTIONS
SEENYEXDC	1 - SINGLE FACE 2 - DOUBLE FACE 3 - UNIVERSAL SINGLE/DOUBLE	R - RED	A - ALUMINUM B - BLACK POWDER COATED C - WHITE POWDER COATED	A - ALUMINUM B - BLACK POWDER COATED C - WHITE POWDER COATED	B - BLANK EM - NICAD	SDT - SELF DIAGNOSTICS FP - FACE PLATE (ORDER SEPARATELY) TP - TAMPERPROOF SCREWS

10.2019