

Job Name: _____

Type: _____

Part #: _____

Notes: _____

SEEXLRN

INDOOR | DAMP



Specifications: Internal

AC ONLY: Standard configuration with high output, high efficiency red LED technology, 120/277V input. **SELF POWERED:** Standard configuration with high output, high efficiency red or green LED technology, 120/277V input. Nickel-cadmium battery provides a minimum 90 minutes emergency duration. 24 hour recharge after 90 minute discharge. Low voltage battery disconnect.

Specifications: External

The SEEXLRN features an integrated and unique pivot system that allows it to be installed on the wall, ceiling or sloped surface. Available with a backbox for recess mount. Interchangeable acrylic panels easily and securely snap into the housing, reducing the possible damage that can occur during normal installations.

Specifications: Electrical

BATTERY: The SEEXLRN is designed with a 3.6V 900mAh maintenance free sealed nickel cadmium battery that provides minimum emergency duration of 90 minutes. The recharge time of the battery is 24 hours.

CIRCUIT: The SEEXLRN has a 120/277V solid state transformer. Low voltage disconnect and brownout protection are standard. Red or green LEDs totaling <2W. The battery operating temperature is 32°F to 122°F (0°C – 50°C).

Specifications: Mechanical

The recessed back box has a steel housing and trimplate with anodized aluminum finish. Adjustable bar hangers adapt housing for mounting on a suspended ceiling. The recessed back box with color matched trimplate effortlessly converts the standard surface mount CURVA to recess mount. The recess kit allows for the standard surface mount CURVA to be easily recessed into a ceiling or a wall. The standard unit snaps into the recessed back box and is securely held in place while wiring is completed.

Ordering Logic

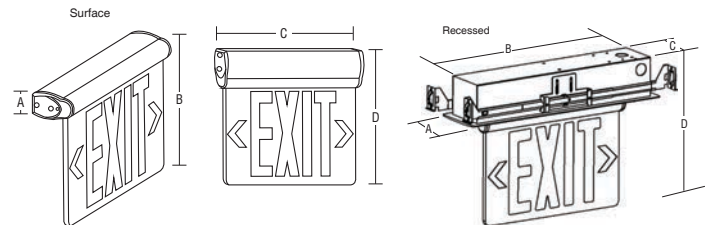
Series	Model	LED Color	Face No.	Panel Color	Mounting	Housing	Options
SEEXLRN	HT (AC only)	LR (red)	1 (single)	C ² (clear)	S (surface-mount)	AL (aluminum)	RKW-HT (recessed kit white, AC only)
	SA ¹ (self-powered)	LG (green)	2 (double)	M (mirror)		W (white)	RKBAL-HT (recessed kit brushed aluminum, AC only)
				W (white)			RKW-SA (recessed kit white, AC & EM)
							RKBAL-SA (recessed kit brushed aluminum, AC & EM)
							NYC (New York approved)
							PK ³ (pendant kit)



Self-Powered

The SEEXLRN self-powered is designed to operate on battery power in the event of regular / mains power failure. Both the battery and charger are completely contained within the standard sign. There are no external components and no alteration made to the external dimensions of the standard sign. Status is easily determined via an LED that indicates AC-ON. A push button test switch allows maintenance personnel to quickly confirm the operational status of the exit at any time.

Dimensions



SEEXLRN	A	B	C	D
Recessed	5 1/2"	14 9/16"	3 1/8"	11 1/8"
Surface	1 5/8"	8 1/2"	12 1/8"	9 3/4"

Job Name:

Type:

Part #:

Notes:

Autotest

The SEEXLRN SA version comes standard with the Autotest diagnostic system. Featuring continuous monitoring of the units main components (battery, charger, transformer, lamps & LED's) and providing instant visual verification of the status.

AUTO-TEST FEATURES:

- Monitor battery disconnection, charger failure, lamp failure, LED failure and transformer fault every 5 seconds without discharging the battery.
- Automatically indicates lamp, battery and charger status by dual-color LED lamp.
- Factory preset Autotest does not need to be field adjusted or reset for proper operation.

AUTO-TEST FUNCTIONS:

- Verifies battery disconnect, charger board failure, lamp failure, LED failure and transformer failure every 5 seconds.
- One (1) minute Autotest every month.
- Thirty (30) minute Autotest every six (6) months.
- Ninety (90) minute Autotest every twelve (12) months.

Autotest VISUAL ALERT

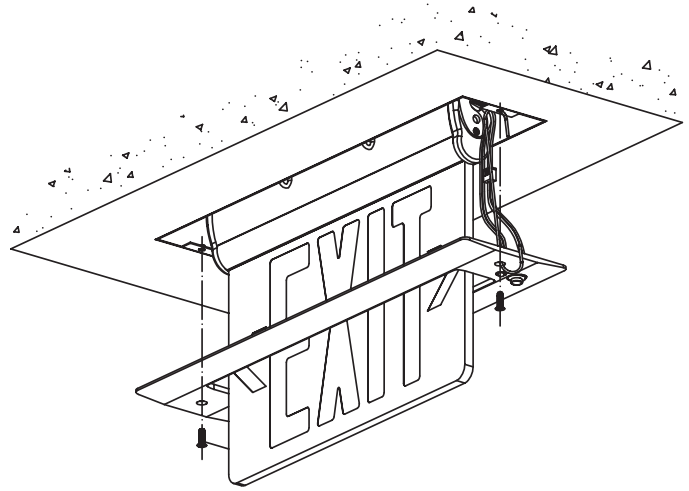
- | | |
|----------------------|-------------------------------------|
| (1) blink red LED = | Battery not connected |
| (2) blinks red LED = | Battery shorted and/or voltage drop |
| (3) blinks red LED = | Charger board fault |
| (4) blinks red LED = | Transformer fault |
| (5) blinks red LED = | Emergency lamp fault |
| (6) blinks red LED = | Remote lamp fault |
| (7) blinks red LED = | LED lamp fault |

Autotest MANUAL FUNCTIONS:

- Press test button 1x (within 2 sec.) = 1 minute test
- Press test button 2x (within 2 sec.) = 5 minute test
- Press test button 3x (within 2 sec.) = 30 minute test
- Press test button 4x (within 2 sec.) = 90 minute test

Warranty

The SEEXLRN comes with a 5-year factory warranty. Deliberate damage, misuse, improper installation effectively void the warranty. For complete warranty details see online.





America's Leader in Life-Safety Lighting Products

Job Name:

Type:

Part #:

Notes:



America's Leader in Life-Safety Lighting Products

Job Name:

Type:

Part #:

Notes: