

Job Name: _____

Type: _____

Part #: _____

Notes: _____

SEEXP

ALL NEW LED "LIGHT PIPE" EXIT SIGN/EMERGENCY LIGHT COMBO



FEATURES

- Unique new design combines an energy-efficient LED EXIT sign with an LED emergency light into one low-profile unit
- EZ snap-out chevron directional indicators
- UL listed for damp locations & meets UL924, NFPA 101 Life Safety Code, NEC, OSHA, Local and State Codes

ILLUMINATION

- Ultra-bright, energy efficient white LED emergency lighting
- High-performance smooth thermoplastic reflector and polycarbonate "light pipe" lens for optimal light distribution and resistance to discoloration
- Adjustable light pipe allows for optimal light output
- Long-lasting, energy efficient Red or Green LED exit sign

ELECTRICAL

- Dual 120/277 voltage standard.
- Charge rate/power "ON" LED indicator light and push-to-test switch for mandated code compliance testing.
- LVD (low voltage disconnect) prevents battery from deep discharge.
- Long-life, maintenance free, rechargeable NiCad battery
- Internal solid-state transfer switch automatically connects the internal battery to LED Board/light pipe for minimum 90-minute emergency illumination
- Fully automatic solid-state, two rate charger initiates battery charging to recharge a discharged battery in 24 hours.
- Remote capable is standard

MOUNTING

- Universal surface mount, wall or ceiling, with EZ-snap thermo-plastic mounting canopy, which snaps into place making installation quick & easy.

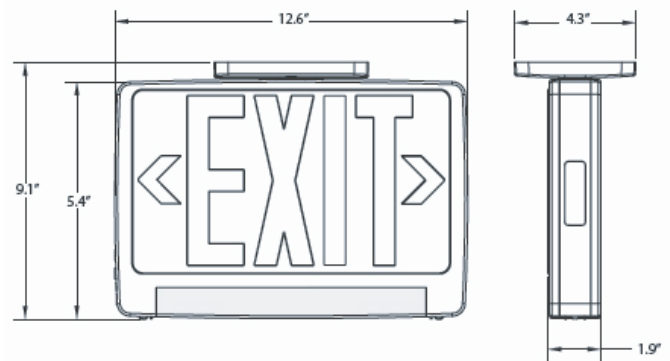
LISTINGS AND WARRANTIES

- Five year warranty on all electronics and housing. Battery pro rated for five years.

HOUSING

- Injection-molded, engineering grade, V-O flame retardant, high-impact, thermoplastic in white or black finish

DIMENSIONS



ORDERING INFORMATION

Sample Part Number: **SEEXP-1-R-W-SDT**

MODEL	# OF FACES	LETTER COLOR	HOUSING COLOR	OPTIONS
SEEXP	1 - Single Face U2 - Universal Single/ Double Face	R - Red G - Green	W - White B - Black	SDT - Self-Diagnostic