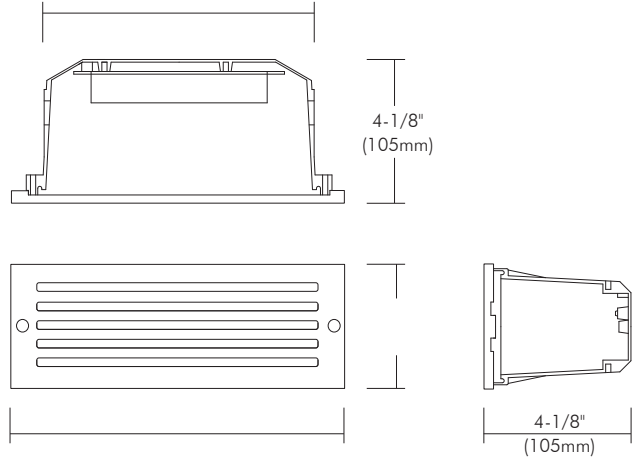


SH-LED8WP

LED Exterior Step Light



DESIGN FEATURES

Illumination

- Illumination is accomplished with long lasting, high out-put Light Emitting Diodes (LEDs).

Housing & Trims

- Cast aluminum housing and trim painted in weather proof white & black or silver.

Electronics

- 120V AC input for operation of 1W X 4 LED chips (4W Max.)

Input Power Requirements

- AC only - Input 120V.

Code Compliance

- UL wet location listing on select units only.

Warranty

- 50,000hr of lamp life.

TRIM



Louvered face plate

- ST-844-WH
- ST-844-BK
- ST-844-SI



Open face plate

- ST-845-WH
- ST-845-BK
- ST-845-SI



Grilled face plate

- ST-846-WH
- ST-846-BK
- ST-846-SI

ORDERING INFORMATION: Example: : SH-LED8WP-ST-844-WH

SH-LED8WP			
MODEL	TRIMS	FINISH	OPTIONS
SH-LED8WP	- ST-844 : Louvered - ST-845 : Open - ST-846 : Grilled	-WH white -BK: black -S I: Silver	- HB : 24" Hanger Bars