


PROlite LED Lighting™

A Division of Emergensee® Lighting, Inc. 

TYPE: _____ DATE: _____

JOB NAME: _____

CONTRACTOR: _____

CATALOG NO: _____

NOTES: _____

PBLEDPNL2X4 2x4 Back-Lit LED Panel

STANDARD



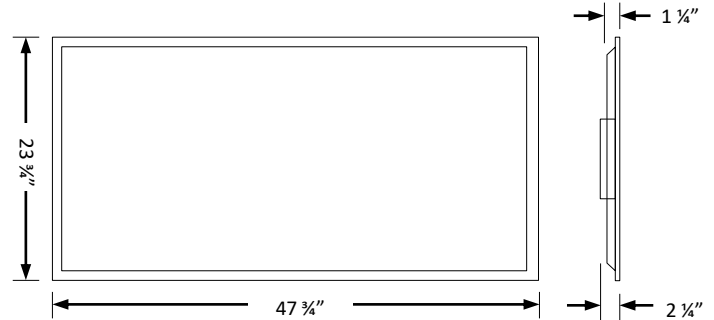
FEATURES

- Available in 3500k (warm/neutral white), 4000k (neutral white) & 5000k (cool white) color temperatures.*
- Long-life LEDs provide at least 144,000 hours of operation with at least 70% of initial lumen output (L70).**
- Provides 4,950 to 5,149 luminaire lumens, and 115 to 121 lumens per watt.*
- Uniform illumination with no visible LED pixilation.
- Universal 120-277 AC voltage (50-60Hz) is standard.
- 0-10vdc dimming capability is standard.
- Power factor > 90.
- Total harmonic distortion < 20%.
- Color rendering index > 80.
- Aluminum frame and steel housing backplate.
- PMMA (polymethyl methacrylate) LED lenses for optimal light distribution, efficiency and longevity.
- Easy installation in new construction or retrofit.
- Standard earthquake clips provide secure installation in grid ceilings.
- Standard mounting options include recessed mounting in grid ceilings, or suspended mounting using attached hanging brackets. For mounting in plaster or other hard ceiling, see Mounting Kits.

MOUNTING KITS

- Optional Surface Mount Kits (LEDSMKT-24) and Flange Mounting Kits (FLANGEKIT24-ET) provide for installation on plaster or other hard ceilings.
- Optional Cable Mounting Kits (LEDPNL-CMK) provide additional security, as well as suspended mounting.

DIMENSIONS



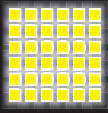
Weight: 9 lbs.

WARRANTY & LISTINGS

- cULus for damp locations and insulated ceilings (Type IC-rated). Suitable for ambient temperatures from -20°C to 40°C (-4°F to 104°F).
- DLC approved.
- Flicker-free per IEEE1789-2015 (no observable adverse effects of flicker at 100% light output level).
- Complies with RoHS (Restriction on Hazardous Substances) requirements.
- Complies with FCC Part 15, class B.
- Complies with EN61000-4-5, surge immunity protection (1kV).
- 5-year warranty of all electronics and housing.

ORDERING INFORMATION

Series	Nominal Lumens		Color Temperature		Options (Order Separately)	
	50L	5,000 lm	35K	3500K	LEDSMKT-24	Surface Mounting Kit (2x4), Back-Lit Panels
PBLEDPNL2X4	50L	5,000 lm	4K	4000k	FLANGEKIT24-ET	Flange Mounting Kit (2x4)
			5K	5000k	LEDPNL-CMK	Cable Mounting Kit, Quantity 6, 1 meter long, 1/16" diameter, with spring clips & adjustable, locking ceiling attachment



ELECTRICAL

Model	Color Temperature	CRI ¹	Luminaire Lumens	Luminaire Watts	Lumens Per Watt	Input Voltage ²	Input Current (A)			Power Factor	THD ³	L ₇₀ Hours ⁴
							120V	240V	277V			
PBLEDPNL2X4-50L-35K	3500K	> 80	4,950	43	115	120-277	0.36	0.18	0.16	> 90%	< 20%	144,000
PBLEDPNL2X42X4-50L-4K	4000K	> 80	5,049	43	118	120-277	0.36	0.18	0.16	> 90%	< 20%	144,000
PBLEDPNL2X4-50L-5K	5000K	> 80	5,149	43	121	120-277	0.36	0.18	0.16	> 90%	< 20%	144,000

¹ Color rendering index.

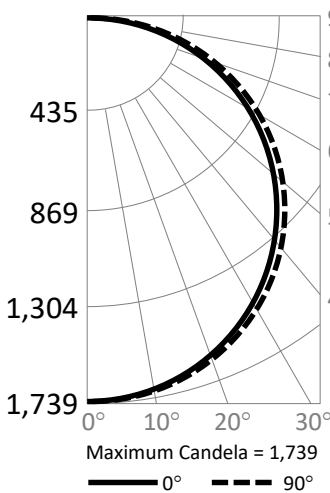
² All 50-60Hz.

³ Total harmonic distortion.

⁴ L₇₀ refers to the number of hours at which lumen output declines to 70% of the initial level. L₇₀ hours are IES TM-21-11 calculated hours.

PHOTOMETRIC DATA

PBLEDPNL2X4-50L-5K (5,149 Lumens)

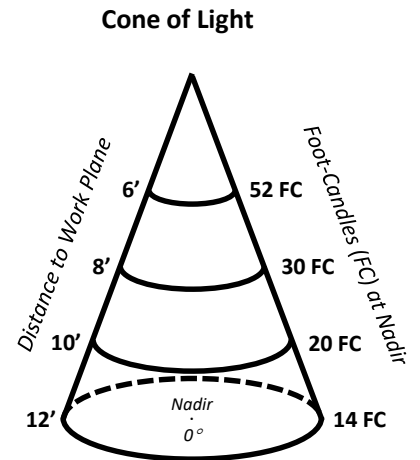


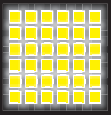
Candlepower Summary

	0°	90°
0°	1,739	1,739
10°	1,713	1,709
20°	1,629	1,634
30°	1,489	1,506
40°	1,297	1,320
50°	1,060	1,084
60°	785	807
70°	489	500
80°	208	216
90°	4	1

Zonal Lumen Summary

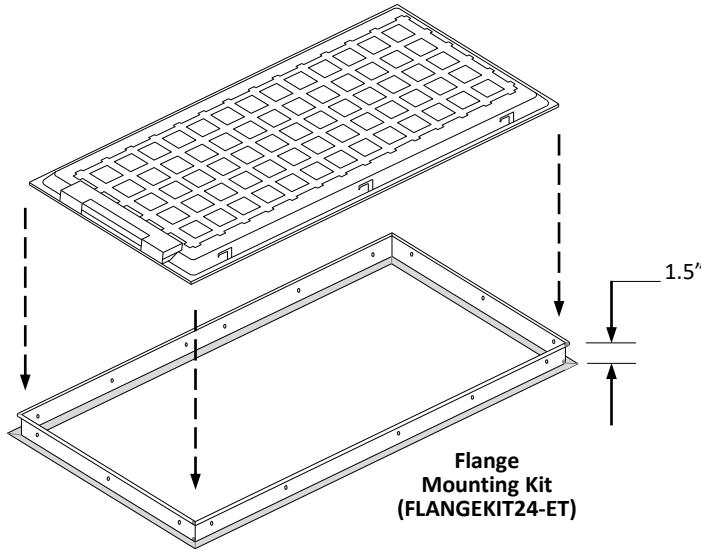
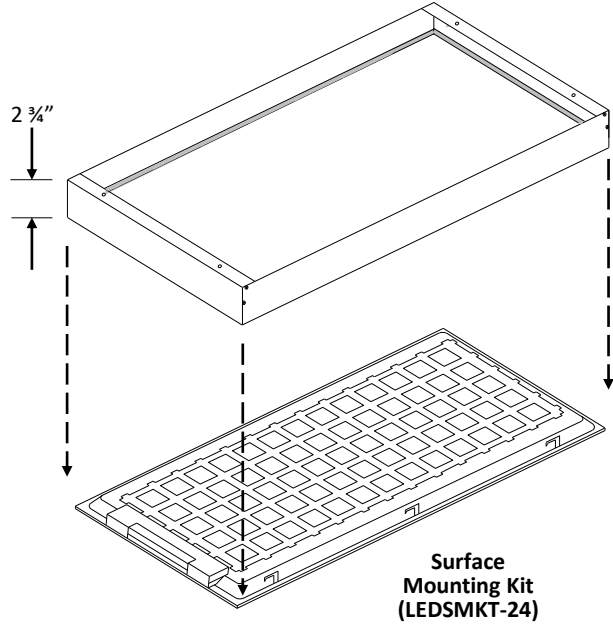
Zone	Lumens	% Fixture
0° – 10°	165	3.2%
0° – 20°	638	12.4%
0° – 30°	1,363	26.5%
0° – 40°	2,245	43.6%
0° – 50°	3,167	61.5%
0° – 60°	4,008	77.8%
0° – 70°	4,651	90.3%
0° – 80°	5,028	97.7%
0° – 90°	5,141	99.9%
90° – 180°	8	0.1%
0° – 180°	5,149	100.0%



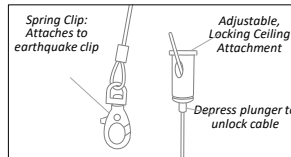


MOUNTING OPTIONS

- Optional surface mounting kits (LEDSMKT-24) mounts below the ceiling.
- Optional flange mounting kits provide for recessed installation on plaster or other hard ceilings. Attach Flange Mount Kit (FLANGEKIT24-ET) to ceiling joists or other stationary structures, and the panel is mounted flush to the ceiling.
- Optional cable mounting kits provide additional security, as well as suspended mounting. Attach one end of the Cable Mount Kit (LEDPNL-CMK) to luminaire earthquake clips using spring clips, and attach the other end to stationary structures using the adjustable, locking ceiling attachment (see picture below right).



Cable Mounting Kit (LEDPNL-CMK)



Cable Mount Kit:

- Spring Clip
- Adjustable, locking ceiling attachment