

TYPE: \_\_\_\_\_ DATE: \_\_\_\_\_  
 JOB NAME: \_\_\_\_\_  
 CONTRACTOR: \_\_\_\_\_  
 CATALOG NO: \_\_\_\_\_  
 NOTES: \_\_\_\_\_

## PBVTPLED<sup>2</sup> Series

Vapor Tight Luminaire

### FEATURES

- Available in 3500k (warm/neutral white), 4000k (neutral white) and 5000k (cool white) color temperatures.\*
- Long-life LEDs provide at least 89,000 hours of operation with at least 70% of initial lumen output (L70).\*\*
- PBVTPLED<sup>2</sup>-35 provides 4,244 luminaire lumens (125 LPW) at 3500k; 4,550 luminaire lumens (130 LPW) at 4000k; and 4,585 luminaire lumens (131 LPW) at 5000k.\*
- PBVTPLED<sup>2</sup>-40 provides 4,793 luminaire lumens (120 LPW) at 3500k; 5,200 luminaire lumens (130 LPW) at 4000k; and 5,240 luminaire lumens (131 LPW) at 5000k.\*
- PBVTPLED<sup>2</sup>-52 provides 6,469 luminaire lumens (127 LPW) at 3500k; 6,760 luminaire lumens (130 LPW) at 4000k; and 6,812 luminaire lumens (131 LPW) at 5000k.\*
- Uniform illumination with no visible LED pixelation.
- Universal 120-277 AC voltage (50-60Hz) is standard.
- 0-10vdc dimming capability is standard.
- Power factor > 0.90.
- Total harmonic distortion < 20%.
- Color rendering index > 80.
- ABS (acrylonitrile butadiene styrene) housing and polycarbonate lens.
- Stainless steel mounting bracket and lens clips are standard.
- Heavy duty wall-mount bracket provides for secure wall and ceiling installation.
- Easy installation in new construction or retrofit.

\*Contact factory for other color temperatures and lumen packages  
 \*\*L<sub>70</sub> hours are IES TM-21-11 calculated hours

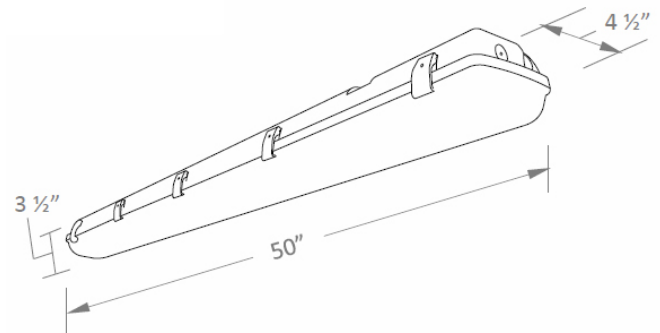
### WARRANTY & LISTINGS

- cULus approved for wet locations (-20q C to 50q C / -4q F to 122q F).
- IP65 rated for ingress protection.
- DLC premium approved.
- Complies with FCC Part 15, Class A.
- Complies with IEEE C.62.41-1991, input transient protection (2.5kV).
- Complies with RoHS (Restriction on Hazardous Substances) requirements.
- 5-year warranty of all electronics and housing



The PBVTPLED<sup>2</sup> is a surface-mounted LED luminaire, which is designed to prevent the intrusion of moisture and dust. The PBVTPLED<sup>2</sup> provides general ambient lighting in commercial and industrial settings, and is the perfect choice for both new construction and retrofits. This high- efficacy luminaire provides long-life and uniform illumination, as well as standard 0-10vdc dimming capability.

### DIMENSIONS



### ORDERING INFORMATION

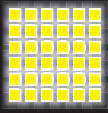
MODEL	COLOR TEMPERATURE	LUMINAIRE LUMENS	LUMINAIRE WATTS	LUMENS / WATT	OPTIONS (ORDER SEPARATELY)
PBVTPLED <sup>2</sup> -35-35KMV- ET	3500k	4,244	35	120	MC613VDRC = Internal occupancy sensor BLEDEM-CP-800 = Emergency driver (800 lm) BLEDEM-CP-1200 = Emergency driver (1200 lm) BLEDEM-CP-1600 = Emergency driver (1600 lm)
PBVTPLED <sup>2</sup> -35-4KMV- ET	4000k	4,550	35	130	
PBVTPLED <sup>2</sup> -35-5KMV- ET	5000k	4,585	35	131	
PBVTPLED <sup>2</sup> -40-35KMV- ET	3500k	4,793	40	120	
PBVTPLED <sup>2</sup> -40-4KMV- ET	4000k	5,200	40	130	
PBVTPLED <sup>2</sup> -40-5KMV- ET	5000k	5,240	40	131	
PBVTPLED <sup>2</sup> -52-35KMV- ET	3500k	6,469	52	127	
PBVTPLED <sup>2</sup> -52-4KMV- ET	4000k	6,760	52	130	
PBVTPLED <sup>2</sup> -52-5KMV- ET	5000k	6,812	52	131	

215-512-8100 • Fax 267-288-5604

Four Neshaminy Interplex, Suite 107, Trevose PA 19053  
www.proliteled.com

Specifications subject to change without prior notice.

© 2019, PROlite LED Lighting, Inc. ALL RIGHTS RESERVED



**ELECTRICAL DATA**

MODEL	COLOR TEMP	CRI <sup>1</sup>	LUMINAIRE LUMENS	LUMINAIRE WATTS	LUMENS PER WATT	INPUT VOLTAGE	INPUT CURRENT (A)			POWER FACTOR	THD <sup>2</sup>	L <sub>70</sub> HOURS <sup>3</sup>
							120V	240V	277V			
PBVTPLD <sup>2</sup> -35-35KMV- ET	3500k	> 80	4,244	35	120	120-277 (50-60Hz)	0.28	0.14	0.12	> 90%	<20%	105,000
PBVTPLD <sup>2</sup> -35-4KMV- ET	4000k	> 80	4,550	35	130	120-277 (50-60Hz)	0.29	0.15	0.13	> 90%	<20%	105,000
PBVTPLD <sup>2</sup> -35-5KMV- ET	5000k	> 80	4,585	35	131	120-277 (50-60Hz)	0.29	0.15	0.13	> 90%	<20%	105,000
PBVTPLD <sup>2</sup> -40-35KMV- ET	3500k	> 80	4,793	40	120	120-277 (50-60Hz)	0.33	0.17	0.14	> 90%	<20%	104,000
PBVTPLD <sup>2</sup> -40-4KMV- ET	4000k	> 80	5,200	40	130	120-277 (50-60Hz)	0.33	0.17	0.14	> 90%	<20%	104,000
PBVTPLD <sup>2</sup> -40-5KMV- ET	5000k	> 80	5,240	40	131	120-277 (50-60Hz)	0.33	0.17	0.14	> 90%	<20%	104,000
PBVTPLD <sup>2</sup> -52-35KMV- ET	3500k	> 80	6,469	52	127	120-277 (50-60Hz)	0.43	0.21	0.18	> 90%	<20%	89,000
PBVTPLD <sup>2</sup> -52-4KMV- ET	4000k	> 80	6,760	52	130	120-277 (50-60Hz)	0.43	0.22	0.19	> 90%	<20%	89,000
PBVTPLD <sup>2</sup> -52-5KMV- ET	5000k	> 80	6,812	52	131	120-277 (50-60Hz)	0.43	0.22	0.19	> 90%	<20%	89,000

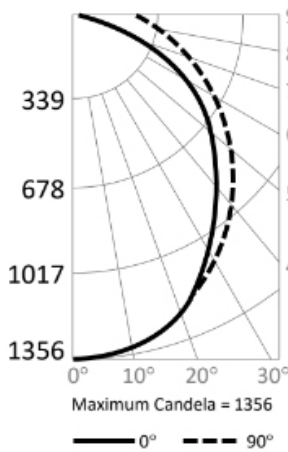
<sup>1</sup> Color rendering index

<sup>2</sup> Total harmonic distortion

<sup>3</sup> L<sub>70</sub> refers to the number of operation hours at which 70% of initial lumen output is reached.

**PHOTOMETRIC DATA**

**Model:PBVTPLD-35-35KMV (4,244 lumens)**



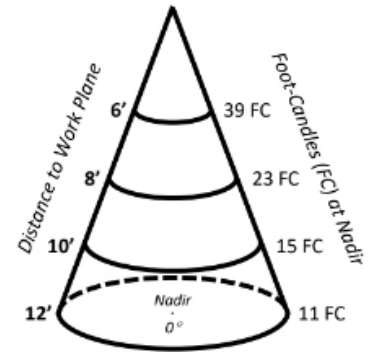
**Candlepower Summary**

	0°	90°
0°	1,356	1,356
10°	1,326	1,329
20°	1,234	1,242
30°	1,088	1,122
40°	902	987
50°	698	841
60°	493	692
70°	297	540
80°	119	378
90°	17	240

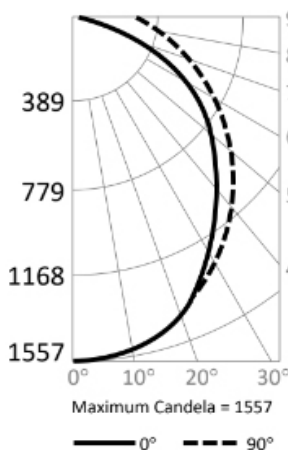
**Zonal Lumen Summary**

Zone	Lumens	% Fixture
0° - 10°	128	3.0%
0° - 20°	489	11.5%
0° - 30°	1,026	24.2%
0° - 40°	1,661	39.1%
0° - 50°	2,313	54.5%
0° - 60°	2,912	68.6%
0° - 70°	3,403	80.2%
0° - 80°	3,752	88.4%
0° - 90°	3,957	93.2%
90° - 180°	287	6.8%
0° - 180°	4,244	100.0%

**Cone of Light**



**Model:PBVTPLD-40-35KMV (4,793 lumens)**



**Candlepower Summary**

	0°	90°
0°	1,557	1,557
10°	1,521	1,524
20°	1,416	1,413
30°	1,245	1,267
40°	1,027	1,110
50°	788	941
60°	547	772
70°	326	610
80°	131	424
90°	18	259

**Zonal Lumen Summary**

Zone	Lumens	% Fixture
0° - 10°	147	3.1%
0° - 20°	562	11.7%
0° - 30°	1,176	24.5%
0° - 40°	1,899	39.6%
0° - 50°	2,638	55.0%
0° - 60°	3,311	69.1%
0° - 70°	3,861	80.6%
0° - 80°	4,254	88.8%
0° - 90°	4,486	93.6%
90° - 180°	307	6.4%
0° - 180°	4,793	100.0%

**Cone of Light**

