

PROlite LED Lighting™

A Division of Emergensee® Lighting, Inc.

TYPE: _____ DATE: _____

JOB NAME: _____

CONTRACTOR: _____

CATALOG NO: _____

NOTES: _____

PCP16Q

EasyLED 16" Gas Station Canopy

HOUSING

- Die Cast Aluminum Housing with IP65 Driver Compartment, White Powdercoat Finish Over a Chromate Conversion Coating.

WARRANTY & LISTINGS

- CSA: Listed for Wet Locations, ANSI/UL 1598, 8750 IP65 Sealed LED Compartment.

LENS

- Tempered Clear Flat Glass Lens

MOUNTING OPTIONS

- Recessed Mount

LumaFit LED:

- Delivered Lumens: 14,952
- CRI: 80+
- CCT: 5000K
- Rated Life: 50,000 Hours
- Aluminum Boards

WATTAGE

- Array: 111.5w; System: 125w

DRIVER

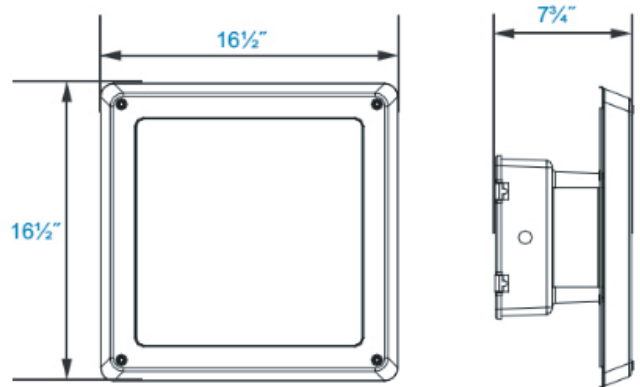
- Electronic Driver, 120-277V, 50/60Hz or 347-480V, 50/60Hz; Less Than 20% THD and PF>0.90.
- Standard Internal Surge Protection 6kV. 0-10V
- Dimming Standard for a Dimming Range of 100% to 10%; Dimming Source Current is 150 Microamps.

WARRANTY

- 5-Year Warranty for -40°C to +50°C Environment.



DIMENSIONS



ORDERING INFORMATION

Example: PCP16QF1X112U5KCWSP

PCP16Q	F	1X	112		5K	C	W	
MODEL	OPTICS	# OF ARRAYS	WATTAGE	DRIVER	CCT	LENS	COLOR	OPTIONS
PCP16Q	F = Type V	1X = One	112 = 112w	U=120-277V H=347-480V	5K = 5000K	C = Tempered Clear Flat Glass	W = White	SF = Single Fuse DF = Double Fuse SP = Surge Protection

215-512-8100 • Fax 267-288-5604

Four Neshaminy Interplex, Suite 107, Trevose PA 19053
www.proliteled.com

Specifications subject to change without prior notice.

© 2019, PROlite LED Lighting, Inc. ALL RIGHTS RESERVED