

Job Name: _____

Type: _____

Part #: _____

Notes: _____

SEELEDMWL

WET LOCATION REMOTE CAPABLE LED EMERGENCY UNIT

STANDARD



ILLUMINATION

Sealed and gasketed weather proof lamp heads with high performance chrome-plated metallized reflector and tempered glass lenses for optimal light distribution.
Long lasting efficient ultra bright white LED lamp heads.
1.875W (15 LEDs x 0.125) per head.

ELECTRICAL

Dual 120/277 voltage.
Charge rate/power "ON" LED indicator light and push-to-test switch for mandated code compliance testing.
9.6V long life, maintenance-free, rechargeable NiCd battery.
Internal solid-state transfer switch automatically connects the internal battery to lamp heads for minimum 90-minute emergency illumination.
Fully automatic solid-state, two rate charger initiates battery charging to recharge a discharged battery in 24 hours.
Remote capacity of 3.7W standard in operating temperatures of 0°C – 50°C.

MOUNTING

External mounting brackets for simplified wall mounting.

HOUSING

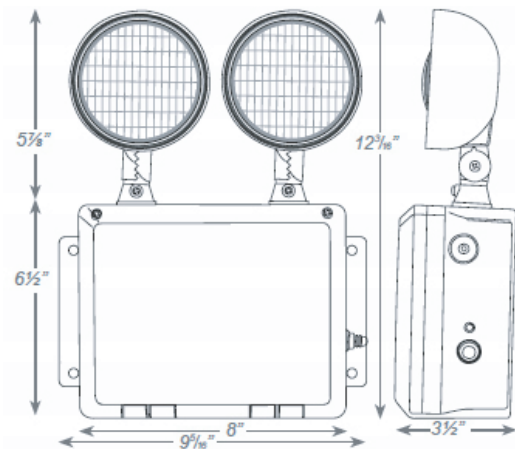
Corrosion-resistant 5VA flame retardant UV-stabilized polycarbonate in gray or black finish.
Sealed and gasketed housing with hinged cover.
Sealed test switch.



LISTINGS AND WARRANTIES

- Five year warranty on all electronics and housing. Battery prorated for two years.
- Meets UL924, NFPA 101 Life Safety Code, NEC, OSHA, Local and State Codes.
- UL Listed for wet locations (-20°C – 50°C).

DIMENSIONS



ORDERING INFORMATION

Sample Part Number: **SEELEDMWL**

MODEL	HOUSING COLOR
SEELEDMWL	
SEELEDMWL	Blank - Gray B - Black

Special voltage options available.
Check with your Lighting Representative.

10.2019