

**Job Name:** \_\_\_\_\_

**Type:** \_\_\_\_\_

**Part #:** \_\_\_\_\_

**Notes:** \_\_\_\_\_

# SEENYEM

## NEW YORK APPROVED INCANDESCENT EMERGENCY LIGHTING



### FEATURES

- Heavy duty construction
- NY approved housing
- UL listed for damp locations & meets UL924, NFPA 101 Life Safety Code, NEC, OSHA, Local and State Codes

### ELECTRICAL

- Dual 120V/277V voltage
- Remote Capability available on 12V model
- Charge rate/power "ON" LED indicator light and push-to-test switch for mandated code compliance testing
- LVD (low voltage disconnect) prevents battery from deep discharge
- 6V, sealed lead acid, maintenance-free, rechargeable battery
- Internal solid-state transfer switch automatically connects the internal battery to lamp heads for minimum 90-minute emergency illumination
- Fully automatic solid-state, two-rate charger initiates battery charging to recharge a discharged battery in 24 hours

### HOUSING

- Heavy 20-gauge steel construction
- White powder-coated finish
- Side and top conduit knockouts
- White or Black finish
- Thermoplastic emergency lamp heads



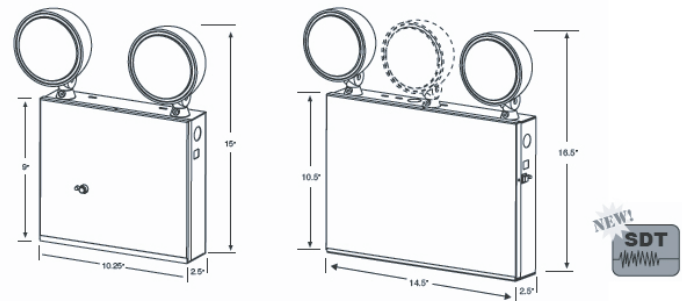
### ILLUMINATION

- Adjustable, glare-free PAR-Type lamp heads
- Optional 3rd head included
- 6V model offers 9W lamps, standard
- 12V model offers 12W lamps, standard
- Remote Capability available on 12V model

### WARRANTY & LISTINGS

- Five Year Warranty on all electronics and housing. Batteries are pro-rated warranted for 5 years.

### DIMENSIONS



### ORDERING INFORMATION

Sample Part Number: **SEENYEM-12-3-50-12-RC**

| MODEL   | VOLTAGE                      | # OF HEADS  | UNIT WATTAGE                     | LAMP WATTAGE                 | OPTIONS   | HOUSING COLOR              |
|---------|------------------------------|---|----------------------------------|------------------------------|---|----------------------------|
| SEENYEM |                              |   |                                  |                              |   |                            |
| SEENYEM | 6 - 6V<br>6 - 6V<br>12 - 12V | 2 - TWO HEADS<br>3 - THREE HEADS<br>3 - THREE HEADS | 18 - 18W<br>27 - 27W<br>50 - 50W | 9 - 9W<br>9 - 9W<br>12 - 12W | NONE<br>NONE<br>RC - REMOTE CONTROL<br>(50W ONLY) | BLANK - WHITE<br>B - BLACK |