

Job Name: _____

Type: _____

Part #: _____

Notes: _____

SEERHLED

OUTDOOR LED REMOTE HEAD



ILLUMINATION

- Long lasting, efficient, ultra bright white LED lamp heads.
- High performance chrome-plated metallized reflector and glass lens with 8 or 12 LED's in each lamp head for optimal light distribution.
- Adjustable LED lamp heads increases center-to-center spacing.

ELECTRICAL

- Powered from low voltage power source with low voltage wiring (not provided).

MOUNTING

- Universal mounting base mounts to single-gang switch box.
- Distance of maximum run is determined by system voltage, wire gauge and total maximum wattage on the run.
- Suitable for wall or ceiling mount.

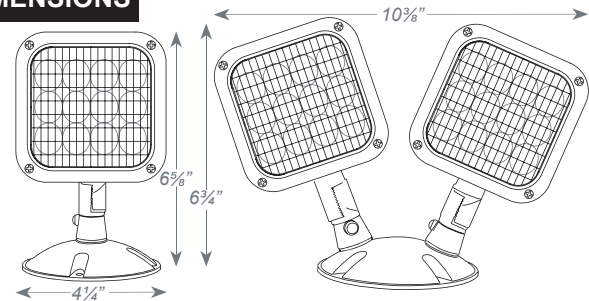
HOUSING

- Available in both engineering grade, high-impact resistant thermoplastic or premium grade die-cast aluminum housing.
- Sealed and gasketed in standard gray or optional black finish.

WARRANTY / LISTING

- Five year warranty.
- UL Listed with approved Best Lighting Products.
- Meets UL924, NFPA 101 Life Safety Code, NEC, OSHA, Local and State Codes.

DIMENSIONS



FIXTURE COMPATIBILITY CHART

Reference individual unit equipment specification sheets for remote load capacity availability.

MODEL TYPE	3.6V	9.6V	MV
LEDCXTEU-RC		X	X
CLPU-RC		X	X
CKXTEU-RC	X		X
LEDR-5HO	X		X
LEDTFX-2		X	X
E-1-RC	X		X
CEU-RC	X		X

ORDERING INFORMATION

Sample Part Number: **SEERHLED-1-WP-9.6**

MODEL	No. of HEADS	OPTIONS		HOUSING		VOLTAGE		COLOR		LAMP TYPE ¹		
SEERHLED												
SEERHLED	1	Single Head	Blank	For standard non-self-diagnostic fixtures	PWP	Thermoplastic	3.6V	For use with 3.6V batteries	Blank	Gray	Blank	8 LEDs 1W
	2	Double Head	SDT	For use with fixtures with a self-diagnostic option	WP	Die-cast	9.6V	For use with 9.6V batteries	B	Black	HL	12 LEDs 1.5W
							MV	For use with 3.6V, 6V, 9.6V & 12V batteries				