

Spec Grade
PROlite LED Lighting

A Division of Emergensee® Lighting, Inc.

TYPE: _____ DATE: _____

JOB NAME: _____

CONTRACTOR: _____

CATALOG NO: _____

NOTES: _____

PCRUS SM LED Surface Mount



IP67



PCRUS Surface Mount LED fixture is designed for illuminating open spaces, with mounting heights of 12' or greater. Applications such as auditoriums, showrooms, airports and warehouses are ideal. The fixture can be direct, suspended or mounted to slope surfaces. This fixture is available in multiple lumen packages to meet most requirements. With its high performance LED optics, it delivers outstanding performance in both interior and exterior applications – new or retrofit applications.

Features & Specifications

Optical System

- Symmetrical distribution, which directs light through a glass lens to provide a uniform distribution of light to vertical and horizontal surfaces. Asymmetrical provides a wider distribution pattern.
- Features an array of select, mid-power, high brightness, high efficiency LED chips; 5000K color temperature, 70 CRI.

Electrical

- State-of-the-Art driver technology superior to energy-efficient and optimum light output. Driver components are fully encased in potting for moisture resistance. Complies with IEC and FCC standards.
- Universal voltage power supply, 120-277 VAC and 347-480VAC, 50/60 HZ input. Drivers feature two-stage surge protection (including separate surge protection built into electronic driver) meets IEEE C62.41.2-2002, Scenario 1, Location Category C.
- 0-10V dimming (10% - 100%) standard.
- Operating temperature: -40°C to +50°C (-40°F to +122°F).
- Choice of Very Low Wattage (VLW), Low Wattage (LW), Super Saver (SS), High Input (HO) or Very High Output (VHO).
- Minimum operation 60,000 to 100,000 hours depending upon the ambient temperature of the installation location. Limited 5-year warranty.

Warranty

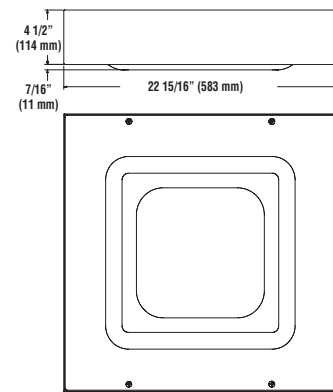
- LED Fixtures carry a 5-year warranty.

Ordering Guide

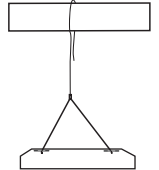
Model	Distribution	Drive Current	Input Voltage	Finish	Accessory Ordering Information
PCRUS SMLED50DFL	SC - Standard Symmetric AC - Asymmetric	VLW - Very Low Watt LW - Low Watt SS - Super Saver HO - High Output VHO - Very High Output	UNV - Universal Voltage (120-277V) 347 - 480 Volt	WHT - White BRZ - Bronze BLK - Black	SSA Slope Surface Adaptor 52152 CLR 2x2 Shallow Housing Only 545376 10" Toggle Cable Hanger TCH10



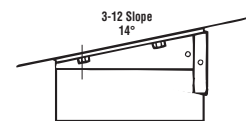
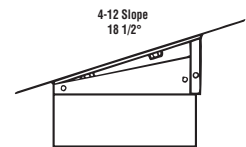
Dimensions:

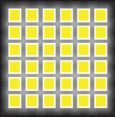


TOGGLE CABLE HANGER



SLOPE SURFACE ADAPTOR – SSA ACCESSORY





Spec Grade
PROlite LED Lighting

A Division of Emergensee® Lighting, Inc.



TYPE: _____ DATE: _____

JOB NAME: _____

CONTRACTOR: _____

CATALOG NO: _____

NOTES: _____

Construction

- Ultra-slim 7/8" profile die cast housing with a standard flat clear or diffuse glass lens attached to a one piece, die formed aluminum housing with powder coated finish. One conduit knockout and four mounting holes. 2x2 house is formed from zinc-coated steel.
- Die-formed galvanized steel adaptor panel with powder coat finish.
- Luminaire assembly incorporates a pressure stabilizing vent breather to prevent seal fatigue and failure.
- Standard color is white and is finished with DuraGrip polyester powder coat process. DuraGrip withstands extreme weather changes without cracking or peeling.
- Shipping weight: 35 lbs
- Integral designed heat sink does not trap dirt or grime, ensuring cool running performance over the life of the fixture.

Installation

- Pre-assembled optical unit and mounting panel attaches to fixture housing via 4 fasteners. Driver is pre-mounted to back of optical assembly.

Listings

- UL listed to UL 1598, UL 8750 and other U.S. and International safety standards.
- RoHS Compliant.
- Suitable for wet locations.
- IP67 rated Luminaire.

Light Output - ACRUS SM

		Lumens		Watts	LPW	
		SC	AC	SC/AC	SC	AC
Cool White	VLW - Very Low Watt	9055	7632	61	148	125
	LW - Low Watt	10525	8884	74	142	120
	SS - Super Saver	13674	11595	98	140	118
	HO - Hight Output	18633	15145	132	141	115
	VHO - Very High Output	22418	17262	159	141	109