

Job Name: _____

Type: _____

Part #: _____

Notes: _____

PLEDWP30W

30 Watt LED Wall Pack

STANDARD



The PLEDWP30W is a rugged, durable LED wall pack, which is perfect for outdoor perimeter and area lighting. With a die cast aluminum housing and a vandal resistant, borosilicate glass lens, the LEDWP30W will stand up to many years of punishing environmental conditions. High-efficacy, long-life LEDs provide both energy and maintenance cost savings compared to traditional, HID wall packs.

FEATURES

- Available in 4000k (neutral white) and 5000k (cool white) color temperatures.*
- Long-life LEDs provide 69,000 hours of operation with at least 70% of initial lumen output (L₇₀).**
- Choose from 3,243 lumens and 108 lumens per watt (LPW) at 4000k, or 3,316 lumens and 111 LPW at 5000k.*
- Uniform illumination with no visible LED pixilation.
- Universal 120-277 AC voltage (50-60Hz) is standard.
- Power factor > 0.90.
- Total harmonic distortion < 20%.
- Color rendering index > 70.
- Die cast aluminum housing with durable, dark bronze, powder coat paint.
- Tempered, borosilicate glass lens with seamless, silicone gasket to prevent leaks.
- Easy installation in new construction or retrofit.

* Contact factory for other color temperatures and lumen packages.

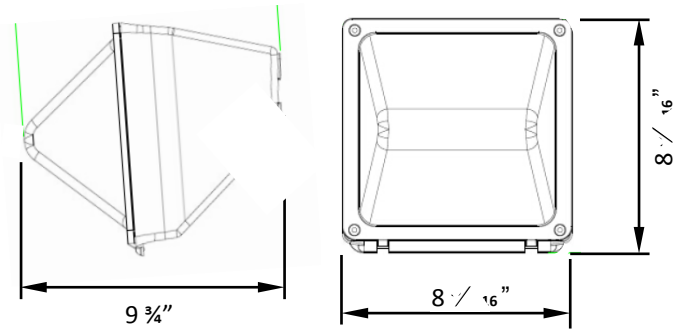
** L₇₀ hours are IES TM-21-11 calculated hours.



WARRANTY & LISTINGS

- cULus listed for wet locations (-30°C to 40°C / -22°F to 104°F).
- IP65 rated.
- DLC standard approved.
- Complies with EN61000-4-5, surge immunity (1kV).
- 5-year warranty on all electronics and housing.

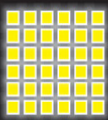
DIMENSIONS



Weight: 5 lbs.

ORDERING INFORMATION

Model	Wattage	Color Temperature
PLEDWP	30W	
PLEDWP	30W	4K = 4000k 5K = 5000k



Job Name: _____

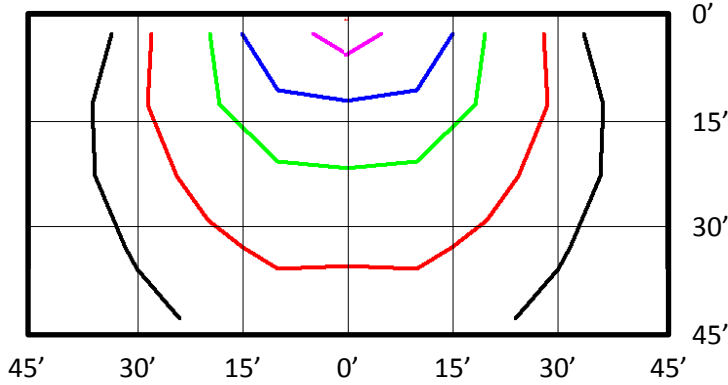
Type: _____

Part #: _____

Notes: _____

PHOTOMETRIC DATA

PLEDWP30W-5K (3,316 Lumens)



BUG Rating: B1-U3-G3

Zone	Lumens	%
FL - Front - Low (0-30)	301	9%
FM - Front - Medium (30-60)	923	28%
FH - Front - High (60-80) FVH	648	20%
- Front - Very High (80-90)	290	9%
Total Forward Light	2,162	65%
BL - Back - Low (0-30)	220	7%
BM - Back - Medium (30-60)	291	9%
BH - Back - High (60-80) BVH	94	3%
- Back - Very High (80-90)	19	1%
Total Back Light	624	19%
UL - Up Light - Low (90-100)	228	7%
UH - Up Light - High (100-180)	302	9%
Total Up Light	530	16%
Total Lumens	3,316	100%

Notes:

- Isofootcandle plots depict initial footcandles at grade.
- Gridlines represent units of mounting height of 15 feet.

ELECTRICAL

Model	Color Temperature	CRI ¹	Luminaire Lumens	Luminaire Watts	Lumens Per Watt	Input Voltage	Input Current (A)			Power Factor	THD ²	L ₇₀ Hours ³
							120V	240V	277V			
PLEDWP30W-4K	4000k	> 70	3,243	30	108	120-277 (50-60Hz)	0.25	0.13	0.11	> 90%	< 20%	69,000
PLEDWP30W-5K	5000k	> 70	3,316	30	111	120-277 (50-60Hz)	0.25	0.13	0.11	> 90%	< 20%	69,000

¹ Color rendering index

² Total harmonic distortion

³ L₇₀ refers to the number of hours at which lumen output declines to 70% of the initial level. L₇₀ hours are IES TM-21-11 calculated hours.