

Spec Grade  
**PROlite** LED Lighting

A Division of Emergensee® Lighting, Inc.

TYPE: \_\_\_\_\_ DATE: \_\_\_\_\_

JOB NAME: \_\_\_\_\_

CONTRACTOR: \_\_\_\_\_

CATALOG NO: \_\_\_\_\_

NOTES: \_\_\_\_\_

## PWPC12Q

AmberLED Constellation Small Full Cutoff Wall Pack



The LEPG AmberLED PWPC12Q cut-off wall pack luminaire is available in an IES Type V distribution designed to replace HID lighting systems up to 175w MH or HPS for wildlife or security applications requiring monochromatic AMBER light. LEDs operate between 585 and 595 nm, greater than 560nm required for wildlife protection. Typical wall mounted lighting applications include retail centers, industrial parks, schools and universities, office buildings and medical facilities. Mounting heights of 8 to 15 feet can be used based on light level and uniformity requirements.

### Specifications and Features:

**Housing:** Die Cast Hinged and Gasketed Aluminum Front Frame and Housing with 1/2" Coin Plugs. Nickel-Plated Stainless Steel Hardware. Photocell Adaptable.

**Listing & Ratings:**

**CSA:** Listed for Wet Locations, ANSI/UL 1598, 8750; IP65 Sealed LED Compartment.

**Finish:** Textured Architectural Bronze Powdercoat Finish Over a Chromate Conversion Coating. Custom Colors Available Upon Request.

**Lens:** Tempered Clear Flat Glass Lens

**Mounting Options:** Cast-in Template for Mounting Directly Over a 4" Recessed Outlet Box, or Use 1/2" Surface Conduit.

**AmberLED:** Aluminum Boards

**Wattage:**

**Array:** 22w, System: 24.8w; (175w HID Equivalent)

**Driver:** Electronic Driver, 120-277V, 50/60Hz or 347-480V, 50/60Hz; Less Than 20% THD and PF>0.90. Standard Internal Surge Protection 2kV. 0-10V Dimming Standard for a Dimming Range of 100% to 10%; Dimming Source Current is 150 Microamps.

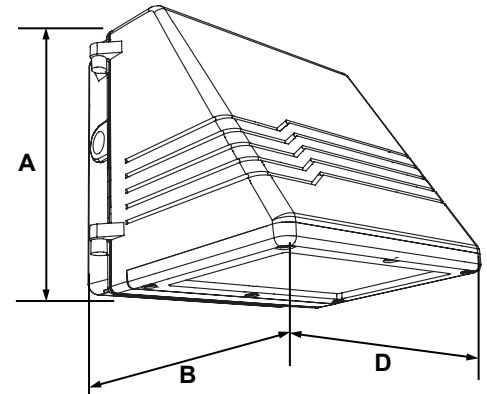
**Controls:** Fixtures Ordered with Factory-Installed Photocell or Motion Sensor Controls are Internally Wired for Switching and/or 1-10V Dimming Within the Housing. Remote Direct Wired Interface of 1-10V Dimming is Not Implied and May Not Be Available, Please Consult Factory. Fixtures are Tested with LEPG Controls and May Not Function Properly With Controls Supplied By Others. Fixtures are NOT Designed for Use with Line Voltage Dimmers.

**Warranty:** 5-Year Warranty for -40°C to +40°C Environment.



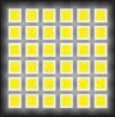
### Dimensions

<b>Width (D)</b>	8 3/4" (222mm)
<b>Length (B)</b>	9 1/2" (241mm)
<b>Height (A)</b>	8 5/8" (219mm)



### Order Information:

Model	Driver	Color	Options
PWPC12QF1X22AMC	U=120-277V H=347-480V	Z=Bronze C=Custom (Consult Factory)	SF=Single Fuse DF=Double Fuse SP=Surge Protection P10=Pencil Photocell, 120VAC P12=Pencil Photocell, 208-277VAC P14=Pencil Photocell, 120-277VAC P20=Swivel Photocell, 120VAC P22=Swivel Photocell, 208-277VAC BU=Battery Backup, 90 Minutes



Spec Grade  
**PROlite** LED Lighting

A Division of Emergensee® Lighting, Inc.

TYPE: \_\_\_\_\_ DATE: \_\_\_\_\_

JOB NAME: \_\_\_\_\_

CONTRACTOR: \_\_\_\_\_

CATALOG NO: \_\_\_\_\_

NOTES: \_\_\_\_\_

**Accessories & Replacement Parts:**



WPC12BFZ\*



P18110 & P18112



P18114



P18120 & P18122

**Accessories  
(Order Separately, Field Installed)**

WPC12BFZ Baffle, Aluminum with Bronze Powdercoat Finish

**Replacement Parts  
(Order Separately, Field Installed)**

WPC12GLC Tempered Clear Flat Glass Lens.

P18110 110-130V, 120VAC Pencil Photocell

P18112 208-277V, 240VAC Pencil Photocell

P18114 120-277V, 50/60Hz Pencil Photocell

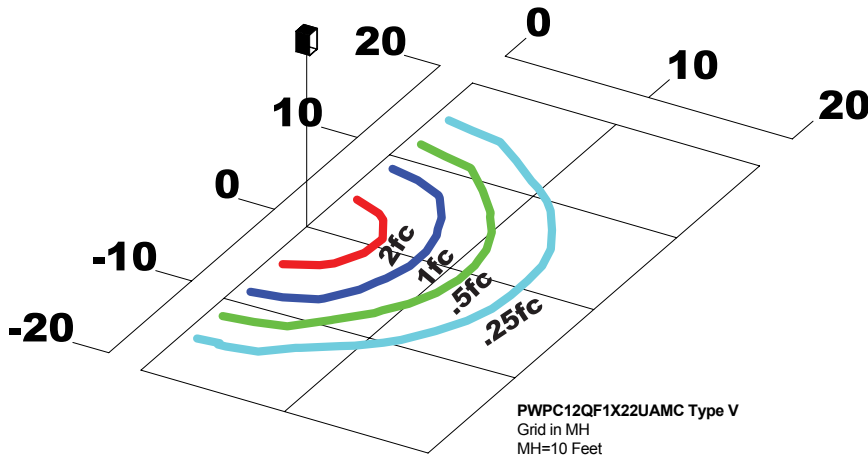
P18120 110-130V, 120VAC Swivel Photocell

P18122 208-277V, 240VAC Swivel Photocell

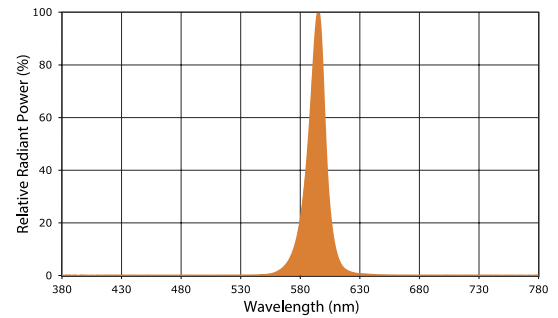
For Replacement Battery Backup, see the LEPG LED Battery Backup Specification Sheet.

\*Shown Mounted

**Photometric Data**



**Amber LED - Spectral Chart**



**Photometric Performance**

LED Board Watts	Drive Current (mA)	Input Watts	Optics	Amber LEDs				
				Lumens	LPW	B	U	G
AmberLED 22w	525	25	Type V	794	32	0	1	0

**Projected Lumen Maintenance**

Data shown for Amber LEDs			Compare to MH				
TM-21-11	Input Watts	Initial	25,000 Hrs	50,000 Hrs	100,000 Hrs	Calculated L70@ 25°C	
L70 Lumen Maintenance @ 25°C / 77°F		25	1.00	0.96	0.92	0.85	196,000
TM-21-11	Input Watts	Initial	25,000 Hrs	50,000 Hrs	100,000 Hrs	Calculated L70@ 50°C	
L70 Lumen Maintenance @ 50°C / 122°F		25	1.00	0.93	0.86	0.73	110,000
TM-21-11	Input Watts	Initial	25,000 Hrs	50,000 Hrs	100,000 Hrs	Calculated L80@ 40°C	
L80 Lumen Maintenance @ 40°C / 104°F		25	1.00	0.94	0.88	0.76	84,000

**NOTES:**

1. Projected per IESNA TM-21-11. Data references the extrapolated performance projections for the 525mA base model in a 25°C ambient, based on 10,000 hours of LED testing per IESNA LM-80-08.
2. Compare to MH box indicates suggested Light Loss Factor (LLF) to be used when comparing to Metal Halide (MH) systems.