

PBLEDPNL2X4-PRM

2x4 Premium Back-Lit LED Panel

STANDARD



FEATURES

- Available in 3500k (warm/neutral white), 4000k (neutral white) & 5000k (cool white) color temperatures.*
- Long-life LEDs provide at least 144,000 hours of operation with at least 70% of initial lumen output (L₇₀).**
- Provides 5,274 to 7,442 luminaire lumens, and 131 to 135 lumens per watt.*
- Uniform illumination with no visible LED pixilation.
- Universal 120-277 AC voltage (50-60Hz) is standard.
- 0-10vdc dimming capability is standard.
- Power factor > 90.
- Total harmonic distortion < 20%.
- Color rendering index > 80.
- Aluminum frame and steel housing backplate.
- PMMA (polymethylmethacrylate) LED lenses for optimal light distribution, efficiency and longevity.
- Easy installation in new construction or retrofit.
- Standard earthquake clips provide secure installation in grid ceilings.
- Standard mounting options include recessed mounting in grid ceilings, or suspended mounting using attached hanging brackets. For mounting in plaster or other hard ceiling, see Mounting Kits.

WARRANTY & LISTINGS

- cULus for damp locations and insulated ceilings (Type IC-rated). Suitable for ambient temperatures from -20°C to 40°C (-4°F to 104°F).
- DLC premium approved.
- Flicker-free per IEEE1789-2015 (no observable adverse effects of flicker at 100% light output level).
- Complies with RoHS (Restriction on Hazardous Substances) requirements.
- Complies with FCC Part 15, class B.
- Complies with EN61000-4-5, surge immunity protection (1kV).
- 5-year warranty of all electronics and housing.

ORDERING INFORMATION

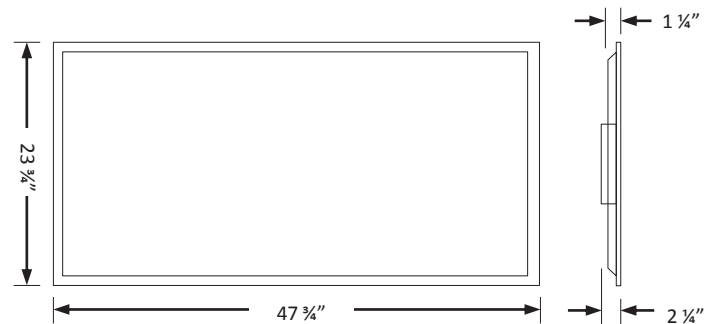
PBLEDPNL2X4			PRM	
Model	Wattage	Color Temp		Options (Order Separately)
PBLEDPNL2X4	50L 70L	35K 4K 5K		SMKT-24 (Surface Mounting Kit) FLANGEKIT24 (Flange Mount Kit) CMK (Cable Mount Kit)



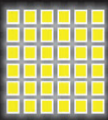
MOUNTING OPTIONS

- Optional Surface Mount Kits (LEDSMKT-24) and Flange Mounting Kits (FLANGEKIT24-ET) provide for installation on plaster or other hard ceilings.
- Optional Cable Mounting Kits (LEDPNL-CMK) provide additional security, as well as suspended mounting.

DIMENSIONS



Weight: 9 lbs.



Job Name: _____

Type: _____

Part #: _____

Notes: _____

COMPATIBLE EMERGENCY DRIVERS

Emergency Driver Part Number	EM8 / EC8		EM12 / EC12		EM16 / EC16		EM20 / EC20		EM24 / EC24		Runtime
	Watts	EM Lumens	Watts	EM Lumens	Watts	EM Lumens	Watts	EM Lumens	Watts	EM Lumens	
PBLEDPNL2X2-40L-xK	5.0	590	7.8	920	10.7	1263	13.7	1617	17.0	2006	90 MINS.
PBLEDPNL2X4-50L-xK	5.0	600	7.8	936	10.7	1284	13.7	1644	17.0	2040	
PBLEDPNL1X4-40L-xK-PRM	5.0	640	7.8	998	10.7	1370	13.7	1754	17.0	2176	
PBLEDPNL2X2-40L-xK-PRM	5.0	645	7.8	1006	10.7	1380	13.7	1767	17.0	2193	
PBLEDPNL2X4-50L-xK-PRM	5.0	655	7.8	1022	10.7	1402	13.7	1795	17.0	2227	
PBLEDPNL2X4-70L-xK-PRM	5.0	655	7.8	1022	10.7	1402	13.7	1795	17.0	2227	

COMPATIBLE DIMMERS

Manufacture	Model Number	Dimming Range	Load Switching Capacity
Lutron	DVSTV	10%-100%	450W
Leviton	IP710-LFZ	10%-100%	1200W
General Protecht	DMD-LED3-102	10%-100%	600W

ELECTRICAL DATA

Model	Color Temperature	CRI ¹	Luminaire Lumens	Luminaire Watts	Lumens Per Watt	Input Voltage ²	Input Current (A)			Power Factor	THD ³	L ₇₀ Hours ⁴
							120V	240V	277V			
PBLEDPNL2X4-50L-35K-PRM	3500K	> 80	5,274	40	131	120-277	0.33	0.17	0.14	> 90%	< 20%	144,000
PBLEDPNL2X4-50L-4K-PRM	4000K	> 80	5,330	40	132	120-277	0.33	0.17	0.14	> 90%	< 20%	144,000
PBLEDPNL2X4-50L-5K-PRM	5000K	> 80	5,385	40	134	120-277	0.33	0.17	0.14	> 90%	< 20%	144,000
PBLEDPNL2X4-70L-35K-PRM	3500K	> 80	7,217	55	131	120-277	0.46	0.23	0.20	> 90%	< 20%	144,000
PBLEDPNL2X4-70L-4K-PRM	4000K	> 80	7,330	55	133	120-277	0.46	0.23	0.20	> 90%	< 20%	144,000
PBLEDPNL2X4-70L-5K-PRM	5000K	> 80	7,442	55	135	120-277	0.46	0.23	0.20	> 90%	< 20%	144,000

¹ Color rendering index.

² All 50-60Hz.

³ Total harmonic distortion.

⁴ L₇₀ refers to the number of hours at which lumen output declines to 70% of the initial level. L₇₀ hours are IES TM-21-11 calculated hours.

PHOTOMETRIC DATA

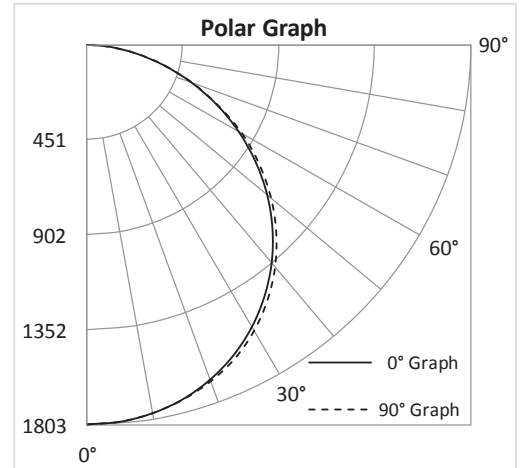
PBLEDPNL2X4-50L-5K-PRM

Luminaire Data

Description	2x4 Premium Back Lit LED Panel - 50L 5K
Total Lumens	5,385
Input Wattage	40
Efficacy (lm/W)	134
Spacing Criterion (0-180°)	1.28
Spacing Criterion (90-270°)	1.30

Zonal Lumen Summary

Zone	Lumens	%Fixt
0-20°	663	12.3%
0-30°	1,418	26.3%
0-40°	2,338	43.4%
20-50°	2,638	49.0%
40-70°	2,518	46.8%
0-60°	4,181	77.6%
0-80°	5,258	97.6%
0-90°	5,379	99.9%
90-180°	6	0.1%
0-180°	5,385	100.0%



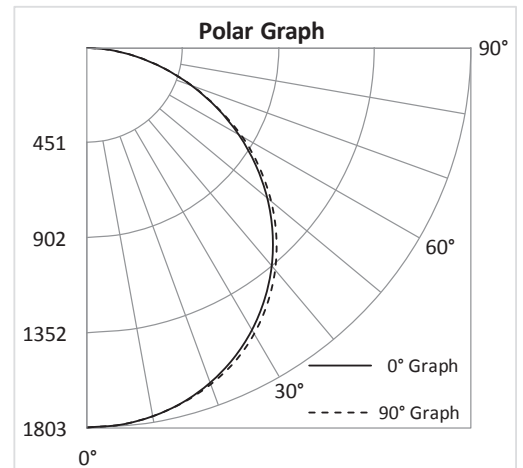
PBLEDPNL2X4-70L-5K-PRM

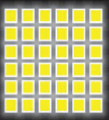
Luminaire Data

Description	2x4 Premium Back Lit LED Panel - 70L 5K
Total Lumens	7,442
Input Wattage	55
Efficacy (lm/W)	135
Spacing Criterion (0-180°)	1.28
Spacing Criterion (90-270°)	1.30

Zonal Lumen Summary

Zone	Lumens	%Fixt
0-20°	922	12.4%
0-30°	1,970	26.5%
0-40°	3,247	43.6%
20-50°	3,661	49.2%
40-70°	3,485	46.8%
0-60°	5,799	77.9%
0-80°	7,276	97.8%
0-90°	7,434	99.9%
90-180°	8	0.1%
0-180°	7,442	100.0%

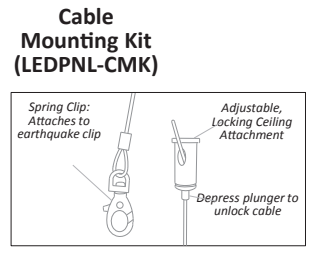
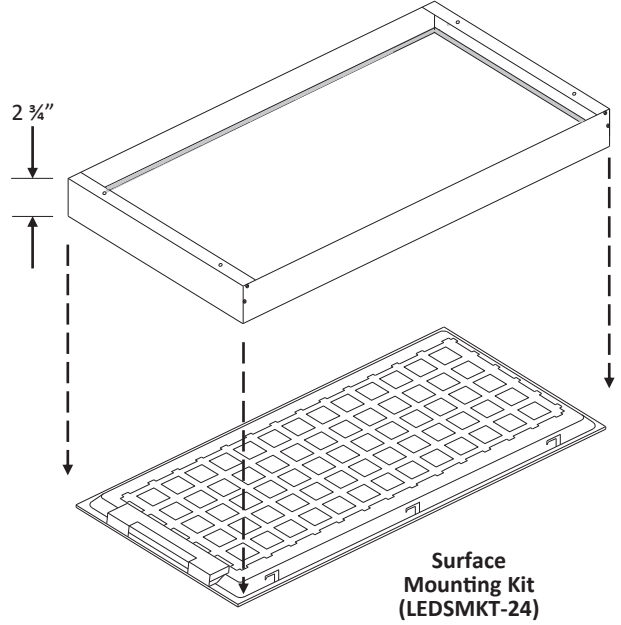
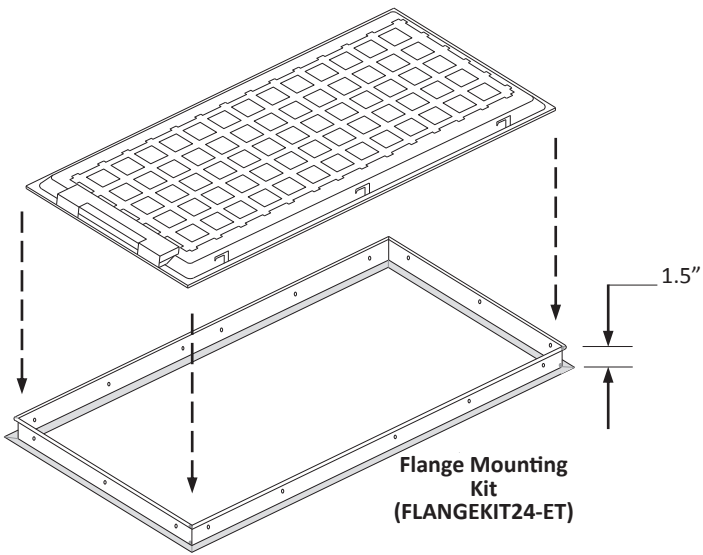




Job Name: _____
 Type: _____
 Part #: _____
 Notes: _____

MOUNTING MEANS – ORDER SEPERATATLY

- Optional surface mounting kits (LEDSMKT-24) mounts below the ceiling.
- Optional flange mounting kits provide for recessed installation on plaster or other hard ceilings. Attach Flange Mount Kit (FLANGEKIT24-ET) to ceiling joists or other stationary structures, and the panel is mounted flush to the ceiling.
- Optional cable mounting kits provide additional security, as well as suspended mounting. Attach one end of the Cable Mount Kit (LEDPNL-CMK) to luminaire earthquake clips using spring clips, and attach the other end to stationary structures using the adjustable, locking ceiling attachment (see picture below right).



- Cable Mount Kit:**
- Spring Clip
 - Adjustable, locking ceiling attachment