

## PBRK-LED350

3.5" LED Dedicated Cans

### STANDARD



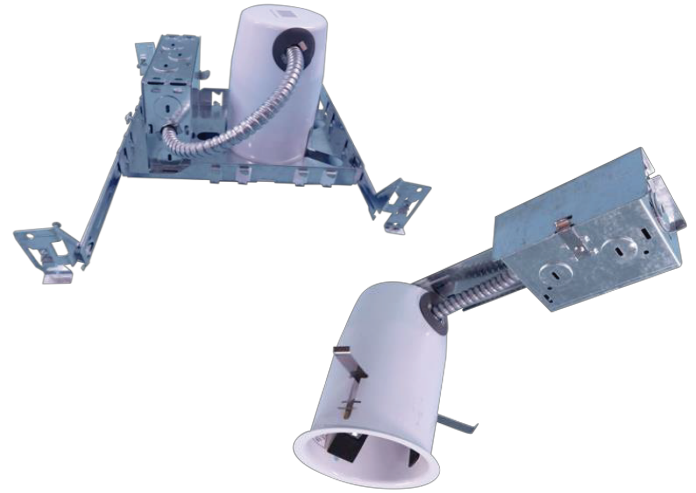
### FEATURES

- Dedicated housings for most 3.5" LED trims (compatible with PBRK-LED350).
- Suitable for new construction and remodel applications.
- Galvanized steel construction.
- Features seven 1/2" NPT knockouts.
- Removable new construction housing for easy access to j-box.
- 2-pin quick connector.
- Bar hangers for use with new construction models are adjustable from 13.6" to 25".
- Remodel cans come standard with torsion clips (4) to secure to ceiling. Accommodates 0.5" and 0.6" ceilings.
- Pre-installed nail on new model cans allow for easy install.
- Easy installation in new construction or retrofit applications. Remodel equipped with torsion springs.
- This device is not intended for use with emergency exits.

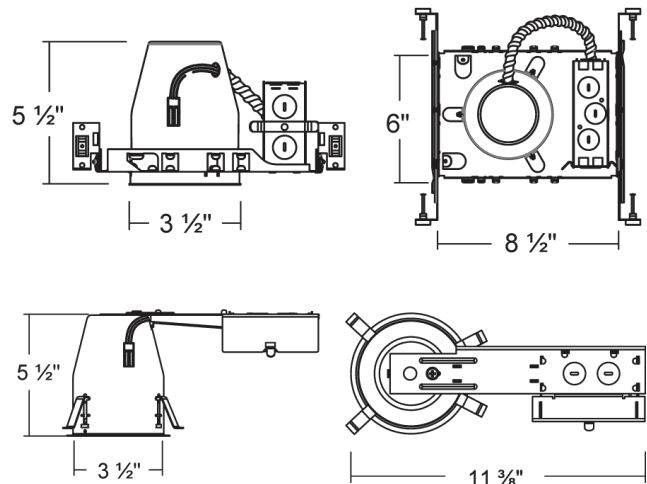
### WARRANTY & LISTINGS

- cULus listed for damp locations.
- Title 24 compliant.
- Certified under ASTM-E283 for air-tight construction.
- 5-year warranty of all electronics and housing.

### ORDERING INFORMATION



### DIMENSIONS



MODEL	DESCRIPTION
PBL350ICATLEDNND-QN	3.5" DEDICATED LED IC HOUSING FOR NEW CONSTRUCTION APPLICATIONS
PBL350ICATLEDRND-Q	3.5" DEDICATED LED IC HOUSING FOR REMODEL APPLICATIONS