

## PLDW-2G

### LED GASKET ENCLOSURE VAPORTITE



#### APPLICATION

LED premium grade enclosed and gasket fixture. For use in both indoor and outdoor applications where dust and moisture resistance and other non-hazardous contaminants. It is often used in refrigerated areas, kitchens, parking garages, car washes, schools, government facilities, public areas and industrial spaces with low to medium mounting heights.

#### FEATURES:

- Vaportite fixture feature in rugged and durable construction. One piece polycarbonate housing with powder coated steel gear tray, hinge at both side with tool less latch for easy of accessibility and maintenance.
- Captive, Stainless steel snap-action latch cam secures lens to housing.
- Impact resistant translucent rounded acrylic linear diffuser.
- Fixtures wiring knockouts are provided on back and each end of housing.

#### MOUNTING:

- Chain and surface mounting.
- Mounting bracket provided.

#### LED:

- Color Temperature: 3500/4000/5000 (K).
- Service life: Greater than 100,000 hours(L<sub>70</sub>) minimizing maintenance frequency.
- Poke in wire connectors.

#### CONFIGURATIONS

	Size	LED Watts	Lumen Output	Color Temp.	Lumen Efficiency	CRI
PLDW-2G	4FT	34W, 38W, 45W	4420lm, 4940lm, 5850lm	4000K	130 lm/W	> 80
	8FT	65W, 75W, 90W	8450lm, 9750lm, 11700lm			

: Based on 4000K.

#### LISTING:

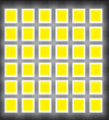
- UL listed.
- DLC listed.<sup>1</sup>
- IP65 rated.
- Suitable for damp location / wet location listed.
- 5 years limited warranty.

#### ELECTRICAL:

- High power factor electronic driver, operate from a 120~277 Vac input range, 50/60 Hz.
- Power Factor: +0.9
- Efficiency: +85%
- Ambient Operating Temperature: -49°F(-45°C) ~ 113°F(45°C).
- Constant Current, Class 2
- <ELCU-200>
- Guarantees emergency lighting remains ON or is turned on when power to the control device is lost.
- Interfaces with fire alarm panel or security system.
- “Watchdog” feature allows emergency loads to be controlled in tandem with normal power loads.
- UL listed for use in emergency circuits.

#### ORDERING INFORMATION

MODEL	LED	VOLTAGE	PRESET	OPTIONS
PLDW-2G4SSL-35/40/50K	L45/38/34	UNV 120-277 120V 277V	(Blank) Non-Preset PS Preset Request	<b>EMG5</b> 5W EM Battery Backup (CEC Compliant EM) <sup>2</sup> <b>EMG8</b> 8W EM Battery Backup (CEC Compliant EM) <sup>2</sup> <b>EMG16</b> 16W EM Battery Backup (CEC Compliant EM) <sup>2</sup> <b>ELCU-200</b> Fail-to-on Emergency lighting, UL924 <sup>3</sup> <b>WMS LOD509SP-</b> Wet Location Occupancy Sensor <b>EJ-50F</b> Smart Dimming Occupancy Sensor, Fail on <b>LOD-500S-E-X</b> IR-TEC Line Voltage 0-10V / Bi-Level Dimming Sensor, <b>AMB</b> Occupancy & Daylight Combined, Fail on Anti-Microbial Coating (Matte Skye White)
PLDW-2G8SSL-35/40/50K	34W /38W /45W LED  L90/75/65 65W /75W /90W LED			



Job Name: \_\_\_\_\_

Type: \_\_\_\_\_

Part #: \_\_\_\_\_

Notes: \_\_\_\_\_

**Specifications:** PLDW -2G (2ft / 4ft / 8ft)

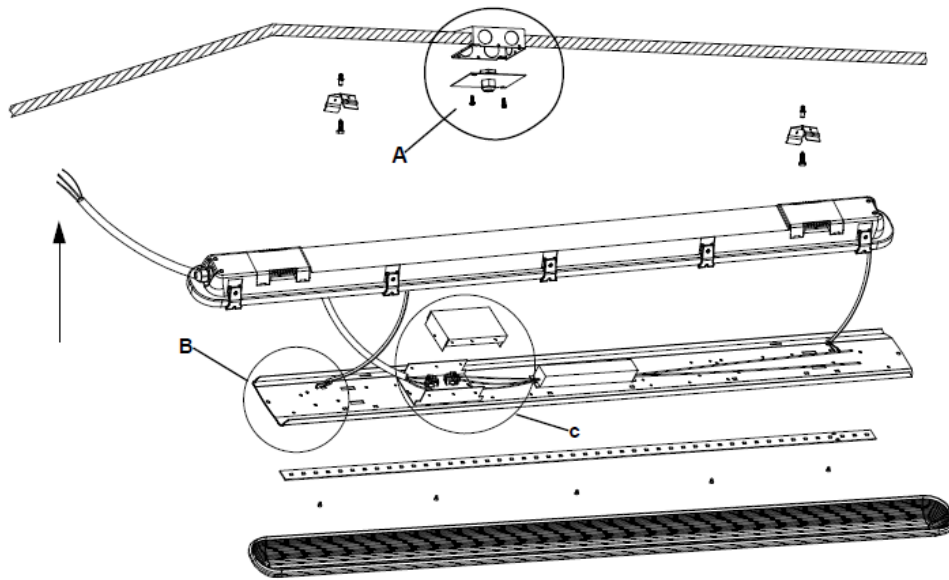
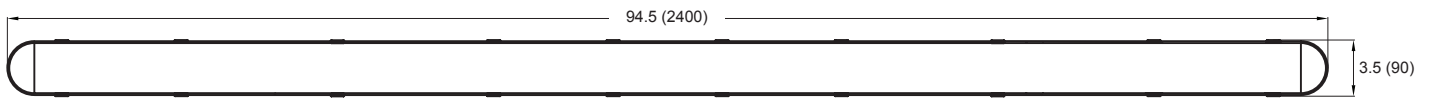
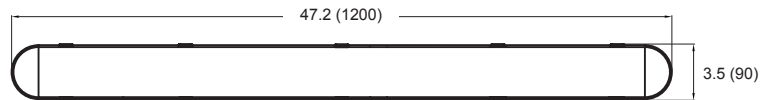
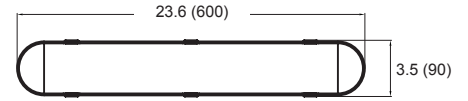
**Length:** 23.6/47.2/94.5 (600/1200/2400)

**Width:** 3.5 (90)

**Depth:** 3.1 (80)

**Weight:** 3.3/4.4/7.7 lbs (1.5/2/3.5 kg)

All dimensions are in inches (millimeters).



Surface Ceiling Mount