

PWCTRD

LED Up/Down Light



The LEPG PWCTRD Turbine architectural wall cylinder provides up/down lighting with narrow, medium and wide distributions designed to replace HID lighting systems from up to 100w MH or HPS. Typical wall mounted lighting applications include retail centers, industrial parks, schools and universities, public transit and airports, office buildings and medical facilities. Mounting heights of 8 to 16 feet can be used based on light level and uniformity requirements.

SPECIFICATIONS & FEATURES:

HOUSING: Extruded Round Aluminum Housing with Built-in Heat Sinks.

LISTINGS & RATINGS: CSA: Listed for Wet Locations, ANSI/UL 1598, 8750; IP66 Sealed LED Compartment.

FINISH: Textured Architectural Bronze or Black Powdercoat Finish Over a Chromate Conversion Coating. Custom Colors Available Upon Request.

LENS: Tempered Clear Flat Glass Lenses

REFLECTOR: Wide, Medium and Narrow Distributions

MOUNTING OPTIONS: Mount Over a 4" Recessed Outlet Box.

COB LED: Cool Copper COB

WATTAGE: COB: 40w, System: 40w; (100w HID Equivalent)

DRIVER: Electronic Driver, 120-277V, 50/60Hz or 347-480V, 50/60Hz; Less Than 20% THD and PF>0.90. Standard Internal Surge Protection 6kV. 0-10V Dimming Standard for a Dimming Range of 100% to 10%; Dimming Source Current is 150 Microamps.

CONTROLS: Fixtures Ordered with Factory-Installed Photocell or Motion Sensor Controls are Internally Wired for Switching and/or 1-10V Dimming Within the Housing. Remote Direct Wired Interface of 1-10V Dimming is Not Implied and May Not Be Available, Please Consult Factory. Fixtures are Tested with LEPG Controls and May Not Function Properly With Controls Supplied By Others. Fixtures are NOT Designed for Use with Line Voltage Dimmers.

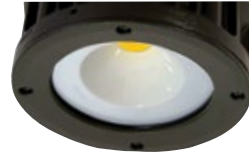
WARRANTY: 5-Year Warranty for -40°C to +50°C Environment.

ORDERING INFORMATION:

Model	Optics	LED	Wattage	Driver	CCT	Color	Options
PWCTRD		C3=COB	2X20=40w		41K=4100K		
LED Up/Down Wall Cylinder	A =70° Up/70° Down B =100° Up/100° Down C =70° Up/100° Down D =30° Up/30° Down E =30° Up/100° Down F =30° Up/70° Down G =100° Up/30° Down H =100° Up/70° Down I =70° Up/30° Down			U =120-277V H =347-480V		Z =Bronze B =Black C =Custom (Consult Factory)	SF =Single Fuse (120-277V Only) DF =Double Fuse (120-277V Only) SP =Surge Protection PC1 =Photocell, 120VAC PC3 =Photocell, 120-277VAC BU =Battery Backup, 90 Minutes



Shown with "B" Wide Optic



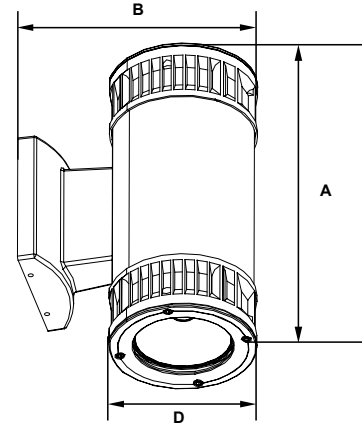
Shown with "A" Medium Optic

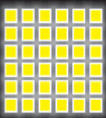


Shown with "D" Narrow Optic

DIMENSIONS:

Diameter (D)	5 3/4" (146mm)
Length (B)	8 7/8" (226mm)
Height (A)	12 1/2" (316mm)





Accessories & Replacement Parts:



P18100 & P18103

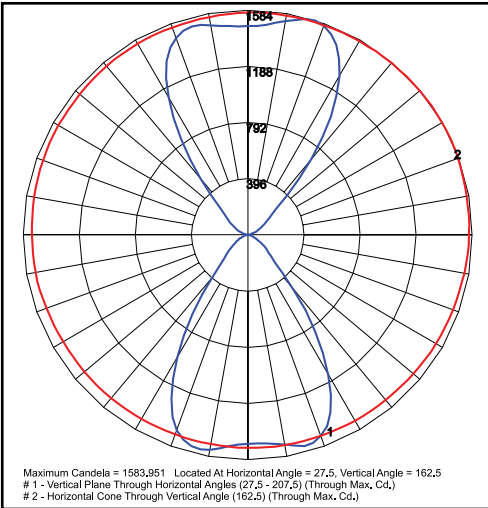
**Replacement Parts:
(Order Separately, Field Installed)**

P18100 120VAC Photocell

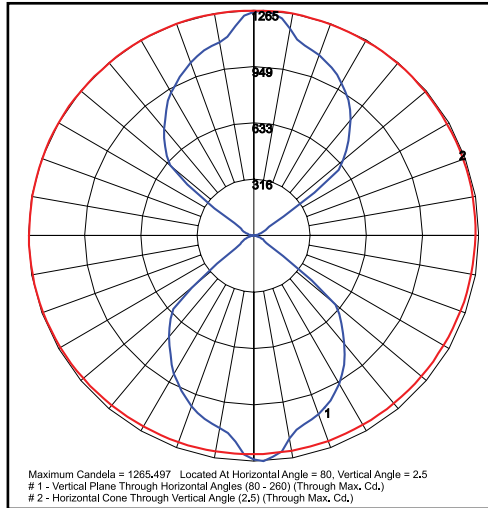
P18103 120-277VAC Photocell

For Replacement Battery Backup, see the LEPG LED Battery Backup Specification Sheet.

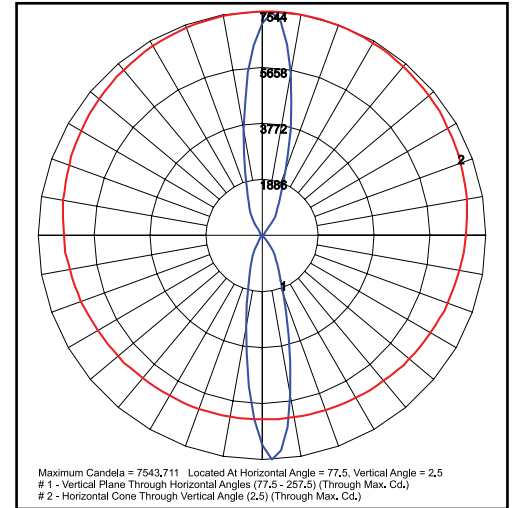
Photometric Data



PWCTRDAC32X20U41K
70° Up/70° Down Optic



PWCTRDBC32X20U41K
100° Up/100° Down Optic



PWCTRDC32X20U41K
30° Up/30° Down Optic

Photometric Performance:

4100 CCT 80 CRI

LED Board Watts	Drive Current (mA)	Input Watts	Beam	Lumens	LPW	B	U	G	
LED COB 40w	525	40	A	Medium	4,398	110	2	5	0
			B	Wide	4,577	114	1	5	0
			D	Narrow	4,344	109	2	5	0

Projected Lumen Maintenance:

Data shown for 4100 CCT			Compare to MH			
TM-21-11	Input Watts	Initial	25,000 Hrs	50,000 Hrs	100,000 Hrs	Calculated L70@ 25°C
L70 Lumen Maintenance @ 25°C / 77°F	40	1.00	0.92	0.83	0.66	89,000
TM-21-11	Input Watts	Initial	25,000 Hrs	50,000 Hrs	100,000 Hrs	Calculated L70@ 50°C
L70 Lumen Maintenance @ 50°C / 122°F	40	1.00	0.90	0.81	0.62	78,000
TM-21-11	Input Watts	Initial	25,000 Hrs	50,000 Hrs	100,000 Hrs	Calculated L80@ 40°C
L80 Lumen Maintenance @ 40°C / 104°F	40	1.00	0.93	0.86	0.72	72,000