

Job Name: _____

Type: _____

Part #: _____

Notes: _____

PLED-DDALG40W

40 Watt LED Mini Dusk-to-Dawn



The PLED-DDALG40W is a mini dusk-to-dawn security/flood light. It is an ideal solution for general site and flood lighting in commercial and residential settings. With a die cast aluminum housing and a fluted, polycarbonate lens shield to reduce glare, the PLED-DDALG40 W provides effective, economical security lighting. High-efficacy, long-life LEDs provide both energy and maintenance cost savings compared to traditional, incandescent and HID security/flood lights.

FEATURES

- Available in 5000k (cool white) color temperature.*
- Long-life LEDs provide 153,000 hours of operation with at least 70% of initial lumen output (L₇₀).**
- Delivers 4,805 lumens and 123 lumens per watt.*
- Universal 120-277 AC voltage (50-60Hz) is standard.
- Power factor > 0.90.
- Total harmonic distortion < 20%.
- Color rendering index > 80.
- Die cast aluminum housing.
- Fluted, polycarbonate lens shield to reduce glare.
- NEMA-type photocell included (120-277V).
- Easy installation in new construction or retrofit.

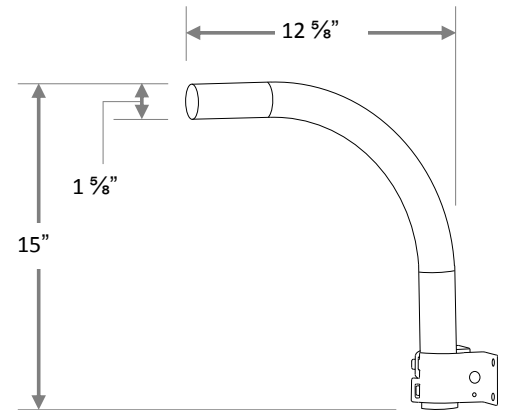
* Contact factory for other color temperatures and lumen packages.
** L₇₀ hours are IES TM-21-11 calculated hours.

WARRANTY & LISTINGS

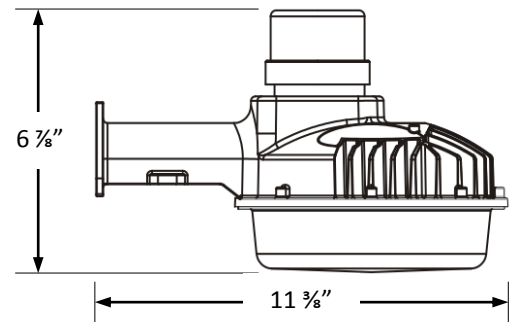
- cULus listed for wet locations (-40°C to 40°C / -40°F to 104°F).
- IP66 rated for ingress protection.
- DLC premium approved.
- Complies with FCC Part 15, class B.
- Complies with EN61000-4-5, surge immunity protection (4kV).
- 5-year warranty of all electronics and housing.
- Complies with RoHS (Restriction on Hazardous Substances) requirements.
- Optional powder-coated steel mounting arm attaches to poles or walls.
- Mounting bracket included



MOUNTING ARM



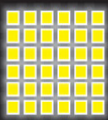
DIMENSIONS



Weight: 3 lbs.

ORDERING INFORMATION

Model	Luminaire Watts	Color Temperature	Accessories
PLED-DDALG	40W	5K = 5000k	LED-DDALSN-ARM = Mounting Arm with Bracket



ELECTRICAL DATA

Model	Color Temp.	CRI ¹	Luminaire Lumens	Luminaire Watts	Lumens/Watts	Input Voltage ²	Input Current (A)			Power Factor	THD ³	L ₇₀ Hours ⁴
							120V	240V	277V			
PLED-DDALG40W-5K	5000k	>80	4,805	39	123	120-277	0.33	0.16	0.14	>90%	<20%	153,000

¹ Color rendering index.

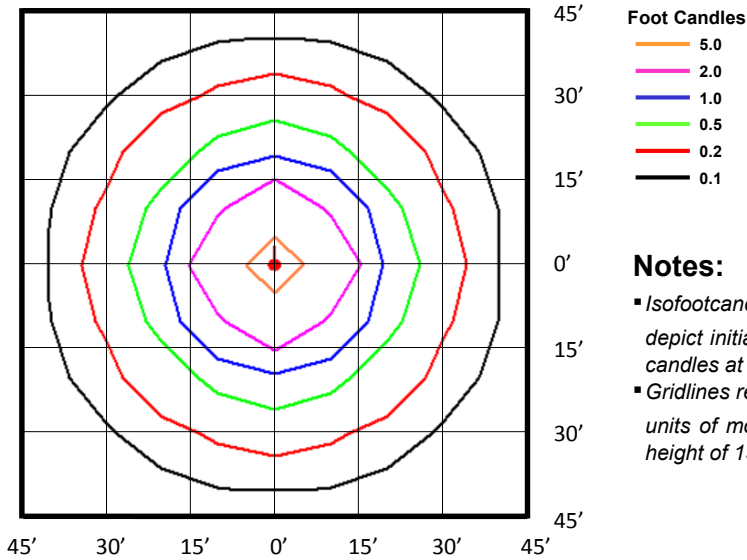
² All 50-60Hz.

³ Total harmonic distortion.

⁴ L₇₀ refers to the number of hours at which lumen output declines to 70% of the initial level. L₇₀ hours are IES TM-21-11 calculated hours.

PHOTOMETRIC DATA

PLED-DDALG40W-5K (4,805 Lumens)



BUG Rating: B2-U2-G1

Zone	Lumens	%
FL - Front - Low (0-30)	625	13%
FM - Front - Medium (30-60)	1,146	24%
FH - Front - High (60-80)	531	11%
FVH - Front - Very High (80-90)	90	2%
Total Forward Light	2,391	50%
BL - Back - Low (0-30)	625	13%
BM - Back - Medium (30-60)	1,146	24%
BH - Back - High (60-80)	531	11%
BVH - Back - Very High (80-90)	90	2%
Total Back Light	2,391	50%
UL - Up Light - Low (90-100)	21	0%
UH - Up Light - High (100-180)	1	0%
Total Up Light	23	0%
Total Lumens	4,805	100%