

Job Name: \_\_\_\_\_

Type: \_\_\_\_\_

Part #: \_\_\_\_\_

Notes: \_\_\_\_\_

## PLEDMPALPRO15

15 Watt, Premium Multi-Purpose LED Area Luminaire



The PLEDMPALPRO series is a group of premium architectural LED area luminaires designed to illuminate parking areas, pathways, building facades, loading docks, and a wide variety of other large, general site lighting applications. Multiple mounting options make the LEDMPAL a versatile luminaire for flood lighting, pole-, ground- and wall-mounted area lighting, and other outdoor lighting requirements.

### FEATURES

- Available in 3000k (warm white), 4000k (neutral white) and 5000k (cool white) color temperatures.\*
- Long-life LEDs provide 372,000 hours of operation with at least 70% of initial lumen output (L70).\*\*
- PLEDMPALPRO15 provides 1,593 lumens (114 lumens per watt, LPW) at 3000k; 1,603 lumens (115 LPW) at 4000k; and 1,624 lumens (116 LPW) at 5000k.\*
- Standard optic provides an IES roadway type V distribution, or a 7V (vertical) x 7H (horizontal) NEMA floodlight distribution.
- Universal 120-277 AC voltage (50-60Hz) is standard.
- Power factor > 0.90.
- Total harmonic distortion < 20%.
- Color rendering index > 80.
- Optional glare shields (full & half) & wire guards are available.
- Die cast aluminum housing with durable, dark bronze powder coat finish —at least 2 mils thick on all surfaces—and a heat-resistant polycarbonate lens.
- Wireway enclosure is sealed with a water-tight, silicon rubber gasket.
- Effective projected areas (EPA's) are:
  - Front = 0.05 s.f. (knuckle) / 0.06 s.f. (yoke)
  - Side = 0.07 s.f. (knuckle & yoke)
  - Face = 0.20 s.f. (knuckle) / 0.23 s.f. (yoke)
- Easy installation in new construction or retrofit applications.

\* Contact factory for other color temperatures and lumen packages.  
\*\* L70 hours are IES TM-21-11 calculated hours.



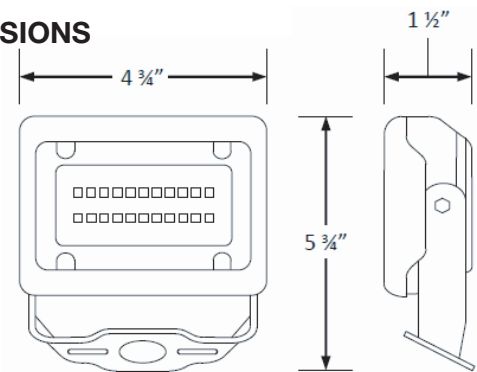
### WARRANTY & LISTINGS

- cULus listed for wet locations in ambient temperatures from -20°C to 45°C (-4°F to 113°F).
- IP66 rated for ingress protection.
- DLC premium approved.
- Rated for 3G vibration.
- Lens is IK 8 rated for protection from external impacts.
- Salt fog tested for 1,000 hours (ASTM B117). After salt fog testing, paint rated at 9 per ASTM D1654-05 scratch test.
- Complies with FCC Part 15, class B.
- Complies with EN61000-4-5, surge immunity protection (2.5kV).
- 5-year warranty of all electronics and housing.

### MOUNTING OPTIONS

- Aluminum die-cast knuckle-mount option is installed on a junction box. Includes 1/2" NPS stem with locking nut.
- Yoke-mount option provides secure attachment to flat surfaces.

### DIMENSIONS



Weight: 0.9 lb. (knuckle) / 1.1 lb. (yoke)

### ORDERING INFORMATION:

MODEL	LUMINAIRE WATTS	COLOR TEMP	SHIELDS & WIREGUARDS
PLEDPALPRO	15		
		3K = 3000K 4K = 4000k 5K = 5000k	PMPALPRO15-FGS=Full Glare Shield, 15W PMPALPRO15-HGS=Half Glare Shield, 15W PMPALPRO15-WG=Wire Guard, 15W