

Job Name: \_\_\_\_\_

Type: \_\_\_\_\_

Part #: \_\_\_\_\_

Notes: \_\_\_\_\_

## PPTFR Flat/Round Post-Top Luminaires

### STANDARD



### FEATURES

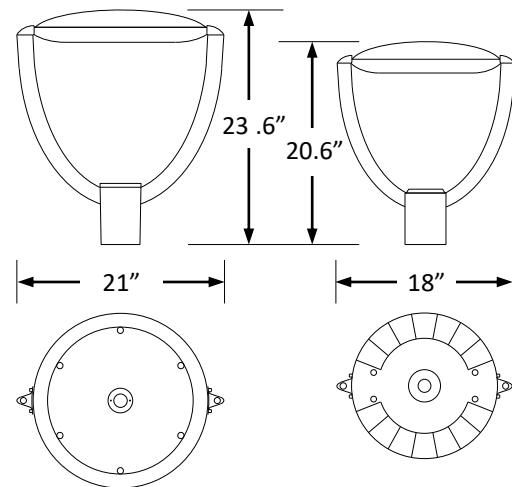
- Available in 3000k (warm white), 4000k (neutral white), and 5000k (cool white) color temperature.\*
- Long-life LEDs provide at least 70% of initial lumen output (L70) for ≥ 174,000 hours of operation, and at least 90% of initial lumen output (L90) for ≥ 51,000 hours of operation.\*\*
- LED chromaticity based on < 6-step ANSI quadrangles.
- LED color maintenance < 0.002 chromaticity shift ( $\Delta u'v'$ ) over the initial 6,000 hours of operation.
- PPTFR provides a range of 7,000 to 20,000 nominal lumens and uses 52 to 152 nominal watts
- 1-10vdc dimming drivers, which provide 10% continuous dimming are standard.
- Universal 120-277 AC voltage (50-60Hz) is standard.
- Power factor > 0.90.
- Total harmonic distortion < 20%.
- Color rendering index (Ra) > 80. Red color rendering of at least 0.
- Aluminum housing with dark bronze powder coat finish.
- PPTFR-7L & 10L = glass lens. PPTFR-20L = polycarbonate lens.
- Factory installed NEMA photocell receptacle & shorting cap options available. NEMA photocells are available as accessories (order separately).
- Easy installation in new construction or retrofit applications.



### WARRANTY & LISTINGS

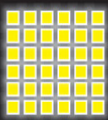
- cULus listed for wet locations in ambient temperatures from 30°C to 45°C (-22°F to 113°F).
- IP65 rated for ingress protection.
- DLC 5.1 premium approved.
- Complies with FCC Part 15, class B.
- Complies with ICE61000-4-5, input transient surge protection (2-6kV).
- Complies with RoHS (Restriction on Hazardous Substances) requirements.
- 5-year warranty of all electronics and housing.

### DIMENSIONS



### ORDERING INFORMATION

Series	Nominal Lumen Output		Color Temperature		Photocell Receptacle		Accessories (Order Separately)	
	Model	Output	Code	Temp	Option	Description	Part #	Description
PPTFR	7L	7,000 lumens	3K	3000k	P	NEMA photocell receptacle	JL-205C23-IP65	NEMA Photocell
	10L	10,000 lumens	4K	4000k	Blank	No receptacle		
	20L	20,000 lumens	5K	5000k				



**ELECTRICAL DATA**

Model	Color Temperature	CRI <sup>1</sup>	Luminaire Lumens	Luminaire Watts	Lumens Per Watt	Input Voltage <sup>2</sup>	Input Current (A)			Power Factor	THD <sup>3</sup>	L <sub>70</sub> Hours <sup>4</sup>
							120V	240V	277V			
PPTFR-7L-3K	3000k	> 80	6,662	52	128	120-277	0.43	0.22	0.19	> 90%	< 20%	174,000
PPTFR-7L-4K	4000k	> 80	6,785	52	130	120-277	0.43	0.22	0.19	> 90%	< 20%	174,000
PPTFR-7L-5K	5000k	> 80	6,887	52	132	120-277	0.43	0.22	0.19	> 90%	< 20%	174,000
PPTFR-10L-3K	3000k	> 80	9,713	77	126	120-277	0.64	0.32	0.28	> 90%	< 20%	174,000
PPTFR-10L-4K	4000k	> 80	9,883	77	128	120-277	0.64	0.32	0.28	> 90%	< 20%	174,000
PPTFR-10L-5K	5000k	> 80	10,025	77	130	120-277	0.64	0.32	0.28	> 90%	< 20%	174,000
PPTFR-20L-3K	3000k	> 80	19,764	152	130	120-277	1.27	0.63	0.55	> 90%	< 20%	174,000
PPTFR-20L-4K	4000k	> 80	20,034	151	133	120-277	1.26	0.63	0.55	> 90%	< 20%	174,000
PPTFR-20L-5K	5000k	> 80	20,259	151	134	120-277	1.26	0.63	0.55	> 90%	< 20%	174,000

<sup>1</sup> Color rendering index.

<sup>2</sup> All 50-60Hz.

<sup>3</sup> Total harmonic distortion.

<sup>4</sup> L<sub>70</sub> refers to the number of hours at which lumen output declines to 70% of the initial level. L<sub>70</sub> hours are IES TM-21-11 calculated hours.

**PHOTOMETRIC DATA**

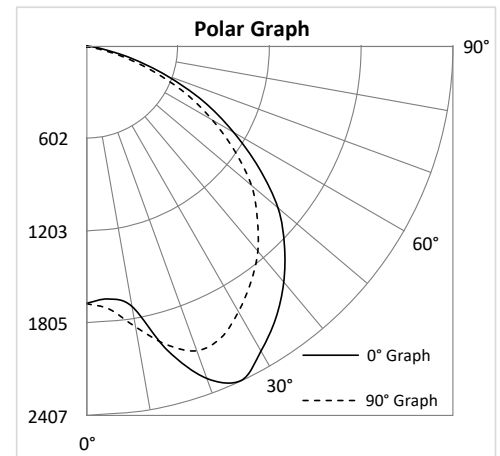
**PPTFR-7L-3K**

**Luminaire Data**

Description	Post Top Luminaire 7L, 3K
Total Lumens	6,662
Input Wattage	52
Efficacy (lm/W)	128
Max. Cd.	2423.24 (337.5H, 25V)
IES Classification	Type VS
Longitudinal Classification	Very Short

**Luminaire Classification Systems (LCS)**

LCS Zone	Lumens	%Lum	
FL	0-30	857	12.9%
FM	30-60	1,897	28.5%
FH	60-80	555	8.3%
FVH	80-90	20	0.3%
BL	0-30	838	12.6%
BM	30-60	1,880	28.2%
BH	60-80	552	8.3%
BVH	80-90	19	0.3%
UL	90-100	7	0.1%
UH	100-180	38	0.6%
<b>Total</b>		6,662	100.0%
BUG Rating		B2-U2-G1	



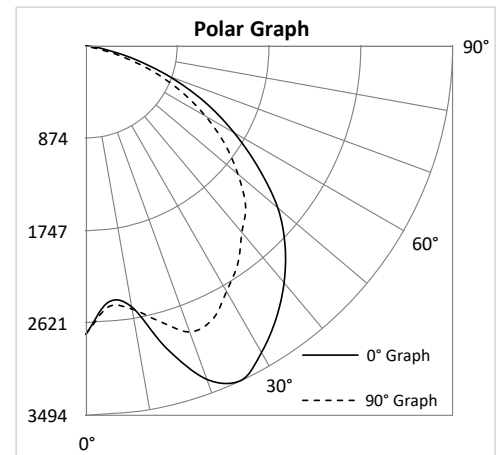
**PPTFR-10L-3K**

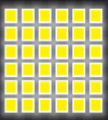
**Luminaire Data**

Description	Post Top Luminaire 10L, 3K
Total Lumens	9,713
Input Wattage	77
Efficacy (lm/W)	127
Max. Cd.	3568.51 (157.5H, 23V)
IES Classification	Type VS
Longitudinal Classification	Very Short

**Luminaire Classification Systems (LCS)**

LCS Zone	Lumens	%Lum	
FL	0-30	1,233	12.7%
FM	30-60	2,731	28.1%
FH	60-80	818	8.4%
FVH	80-90	29	0.3%
BL	0-30	1,267	13.0%
BM	30-60	2,746	28.3%
BH	60-80	803	8.3%
BVH	80-90	27	0.3%
UL	90-100	9	0.1%
UH	100-180	51	0.5%
<b>Total</b>		9,713	100.0%
BUG Rating		B3-U3-G1	





Job Name: \_\_\_\_\_

Type: \_\_\_\_\_

Part #: \_\_\_\_\_

Notes: \_\_\_\_\_

## PHOTOMETRIC DATA

### PPTFR-20L-3K

#### Luminaire Data

Description	Post Top Luminaire 20L, 3K
Total Lumens	19,764
Input Wattage	152
Efficacy (lm/W)	130
Max. Cd.	8500.71 (157.5H, 26V)
IES Classification	Type VS
Longitudinal Classification	Very Short

#### Luminaire Classification Systems (LCS)

LCS Zone		Lumens	%Lum
<b>FL</b>	0-30	3,029	15.3%
<b>FM</b>	30-60	5,690	28.8%
<b>FH</b>	60-80	961	4.9%
<b>FVH</b>	80-90	60	0.3%
<b>BL</b>	0-30	3,054	15.5%
<b>BM</b>	30-60	5,737	29.0%
<b>BH</b>	60-80	974	4.9%
<b>BVH</b>	80-90	60	0.3%
<b>UL</b>	90-100	31	0.2%
<b>UH</b>	100-180	167	0.8%
<b>Total</b>		<b>19,764</b>	<b>100.0%</b>
BUG Rating		B4-U3-G1	

