

PSH-LED8

LED INTERIOR STEP LIGHT

DESCRIPTION

The PSH-LED8 is designed with LED lamp permanently installed in the fixture for easier, economical maintenance as of long lasting life of LED lamp.

DESIGN FEATURES

Illumination

- Illumination is accomplished with long lasting, high out-put Light Emitting Diodes (LEDs).

Housing & Trims

- Cast aluminum housing and trim painted in weather proof white & black or silver.

Electronics

- 120V AC input for operation of 1W X 4 LED chips (4W Max.)

Input Power Requirements

- AC only - Input 120V.

Code Compliance

- UL wet location listing on select units only.

Warranty

- 50,000hr of lamp life.

Listing cCSA-us Certificated

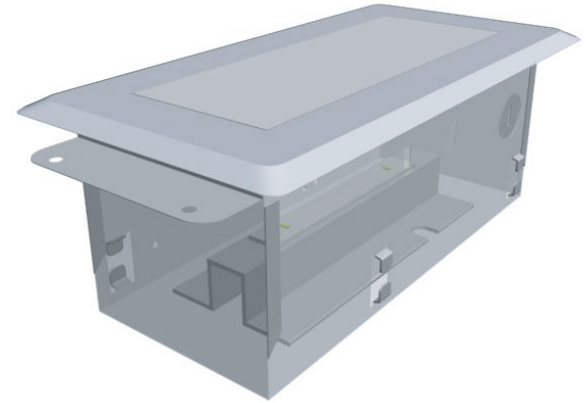
TRIM



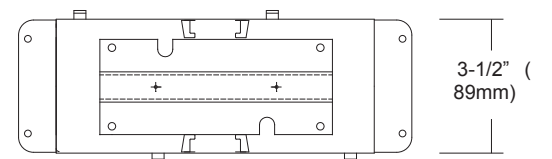
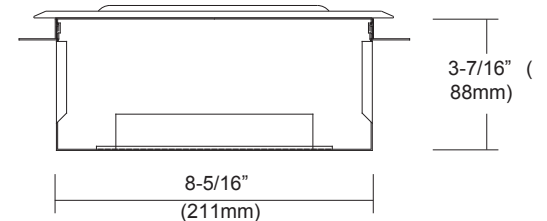
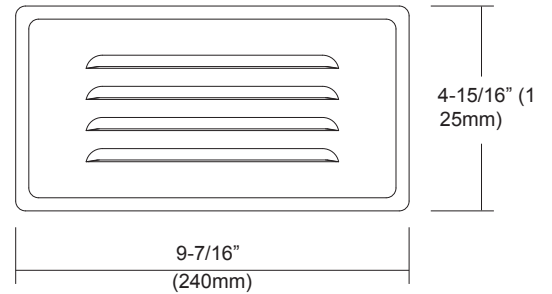
Louvered face plate Open face plate

ST-842-WH
ST-842-BK
ST-842-SI

ST-843-WH
ST-843-BK
ST-843-SI



Dimensions



ORDERING INFORMATION

Model	Trims	Finish	Option
PSH-LED8			HB : 24" Hanger Bars
	ST-842 : Louvered ST-843 : Open	WH: white BK : black SI : Silver	