

**Job Name:** \_\_\_\_\_  
**Type:** \_\_\_\_\_  
**Part #:** \_\_\_\_\_  
**Notes:** \_\_\_\_\_

**SEEMRHLED**  
**LED MINI INDOOR THERMOPLASTIC**  
**REMOTE HEAD**



**ILLUMINATION**

- Adjustable, long lasting, efficient, ultra bright white LED lamp heads.
- One, 0.5 watt white LED per lamp head
- Unique all-inclusive lamp, reflector and lens assembly.

**ELECTRICAL**

- Powered from low voltage power source with low voltage wiring (not provided).

**MOUNTING**

- Universal mounting adapter plate included. Mounts to single-gang switch box.
- Distance of maximum run is determined by system voltage, wire gauge and total maximum wattage on the run.
- Suitable for wall or ceiling mount.

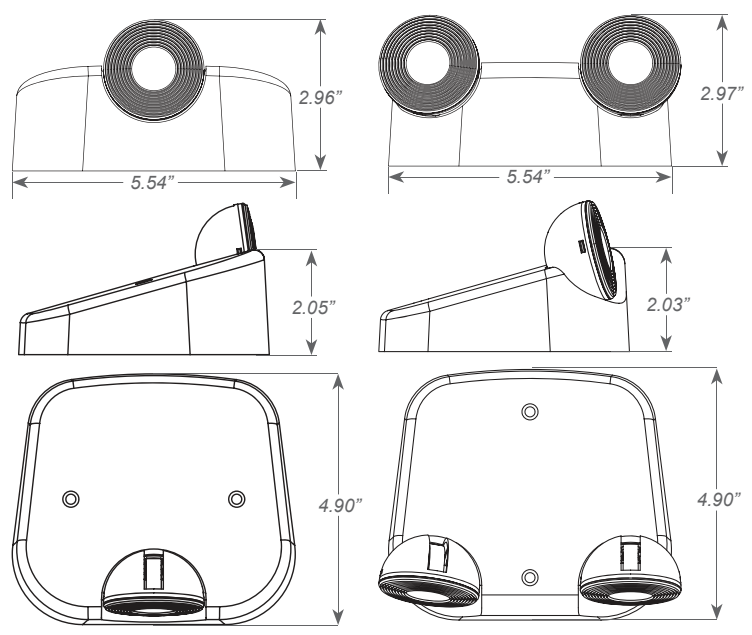
**HOUSING**

- Injection-molded, engineering grade, 5VA flame retardant, high-impact resistant, thermoplastic in white or black finish.

**WARRANTY / LISTING**

- Five year warranty.
- UL Listed with approved Best Lighting Products.
- Meets UL924, NFPA 101 Life Safety Code, NEC, OSHA, Local and State Codes.

**DIMENSIONS**



**FIXTURE COMPATIBILITY CHART**

Reference individual unit equipment specification sheets for remote load capacity availability.

MODEL TYPE	3.6V
SEEXDCC	X
SEELEDR-1-RC	X
SEELEDE1-RC	X
SEECEU-RC	X
SEECTXTEU-RC	X

Sample Part Number: **SEEMRHLED1-3.6V**

**ORDERING INFORMATION**

MODEL	No. of HEADS	HOUSING COLOR	VOLTAGE
SEEMRHLED	1 Single Head	(blank) White	3.6V For Use With 3.6V DC Power Source
	2 Double Head	B Black	

<sup>1</sup> Wattage rating stated per head.