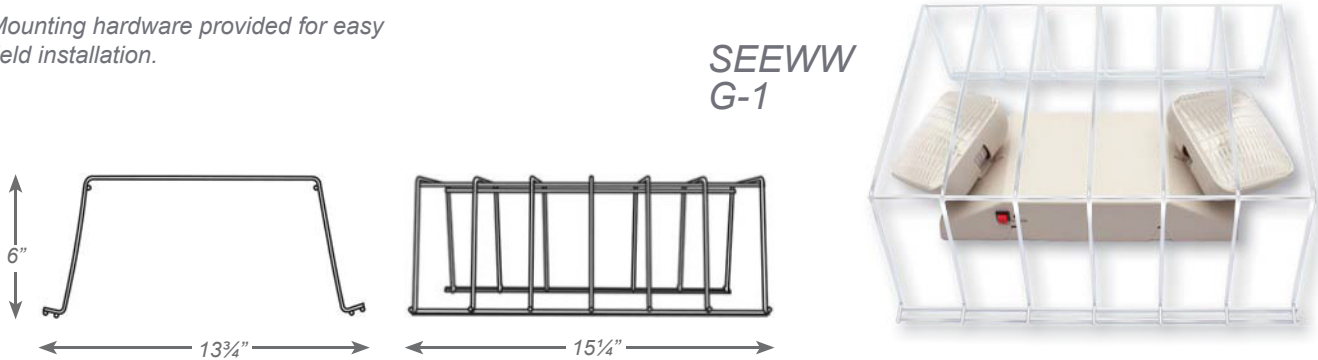


Wire Guards

WIRE GUARD

- Durable 9-gauge steel construction in painted white finish.
- Mounting hardware provided for easy field installation.



ORDERING INFORMATION

MODEL	USE WITH	DIMENSIONS
SEEWWG-1	Wire guard for Standard Exits and Emergency Units	13 3/4" x 15 1/4" x 6"
SEEWWG-3	Wire Guard for Combo Units, NYC Exits and Large EM Units	13 3/4" x 30 5/8" x 6"