

SEEXEL

Edge-lit Aluminum Exit Sign

STANDARD



OPTIONAL



ILLUMINATION

- Ultra bright, energy efficient, long life Red or Green LEDs.
- UV-stabilized ultra-clear acrylic edgelit panel provides consistent, uniform illumination.
- Double face utilizes factory installed silver or white mylar background panel.

ELECTRICAL

- Dual 120/277 voltage standard.
- Charge rate/power ON LED indicator light and push-to-test switch for mandated code compliance testing.
- 4.8V long life, maintenance-free, rechargeable NiCd battery (EM models only).
- Internal solid-state transfer switch automatically connects the internal battery to LED board for minimum 90-minute emergency illumination.
- Fully automatic solid-state, two rate charger initiates battery charging to recharge a discharged battery in 24 hours.

MOUNTING

- Aluminum mounting canopy included for top, end or back mount.

HOUSING

- Premium-grade, extruded aluminum housing (also available in optional black or white powder-coated finishes).
- Self-adhesive Chevron appliques and guide template provided for directional indication.

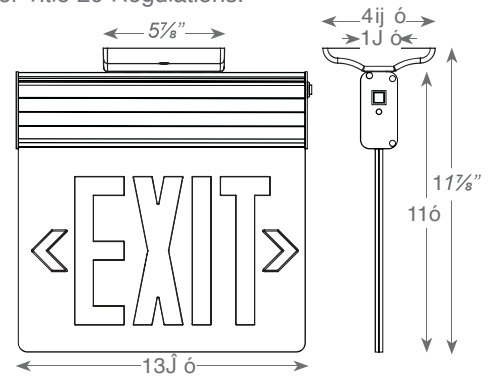
OPTIONS

- 2C-120V/2C-277V: Voltage-specific dual circuit option on the AC-only unit enables it to be connected to two different supplies at the same time.
- SDT: Self-diagnostic feature performs monthly, biannual, and annual tests to ensure reliable operation and meets electrical and life safety codes.
- USA: Substantial transformation assembly in the U.S. complies with Assembled in the USA under the Buy American Act.
- SPV: UL Listed for 208/220/240 Volt, 50/60Hz.
- Custom: Signs available with requested special wording.

WARRANTY / LISTING

- Five year warranty on all electronics and housing. Battery prorated for five years.
- Meets UL924, NFPA 101 Life Safety Code, NEC, OSHA, Local and State Codes.
- UL Listed for damp locations (0°C to 50°C).
- Certified to CEC under Title 20 Regulations.

DIMENSIONS



ORDERING INFORMATION

Sample Part Number: SEEXEL1RCAEM

| MODEL | No. of FACES | LETTER COLOR | PANEL | HOUSING COLOR | BATTERY | OPTIONS |
|--------|---------------|--------------|----------------------|---------------|-------------------|--|
| SEEXEL | 1 Single Face | R Red | C Clear ¹ | W White | (blank) AC-Only | 2C-120 Dual Circuit With 120V Input ² |
| | 2 Double Face | G Green | M Mirror | B Black | EM Battery Backup | 2C-277 Dual Circuit With 277V Input ² |
| | | | W White | A Aluminum | | SDT Self-Diagnostics ³ |
| | | | | | | USA Assembled In USA |
| | | | | | | SPV 208/220/240 Volt, 50/60Hz ⁴ |
| | | | | | | CUSTOM Custom Wording |

¹ With single face only.

² Available only with AC units.

³ Available only with EM units.

⁴ Not available with SDT.

ELECTRICAL INFORMATION

| CATALOG NUMBER | INPUT WATTS (W) | | | | | INPUT AMPS (A) | | | | |
|-------------------------|-----------------|------|------|------|------|----------------|-------|-------|-------|-------|
| | 120V | 277V | 208V | 220V | 240V | 120V | 277V | 208V | 220V | 240V |
| SEEXEL-RED/GREEN/EMSPV | 3.6 | 4.0 | 3.9 | 3.93 | 3.98 | 0.030 | 0.020 | 0.022 | 0.022 | 0.020 |
| SEEXEL-RED/GREEN/SDT/2C | 3.6 | 4.0 | - | - | - | 0.030 | 0.020 | - | - | - |