

SEEXEL

Edge-lit Aluminum Exit Sign

STANDARD



OPTIONAL



ILLUMINATION

Ultra bright, energy efficient, long life Red or Green LEDs. UV-stabilized ultra-clear acrylic edgelit panel provides consistent, uniform illumination. Double face utilizes factory installed silver or white mylar background panel.

ELECTRICAL

Dual 120/277 voltage standard. Charge rate/power ON LED indicator light and push-to-test switch for mandated code compliance testing. 4.8V long life, maintenance-free, rechargeable NiCd battery (EM models only). Internal solid-state transfer switch automatically connects the internal battery to LED board for minimum 90-minute emergency illumination. Fully automatic solid-state, two rate charger initiates battery charging to recharge a discharged battery in 24 hours.

MOUNTING

Aluminum mounting canopy included for top, end or back mount.

HOUSING

Premium-grade, extruded aluminum housing (also available in optional black or white powder-coated finishes). Self-adhesive Chevron appliques and guide template provided for directional indication.

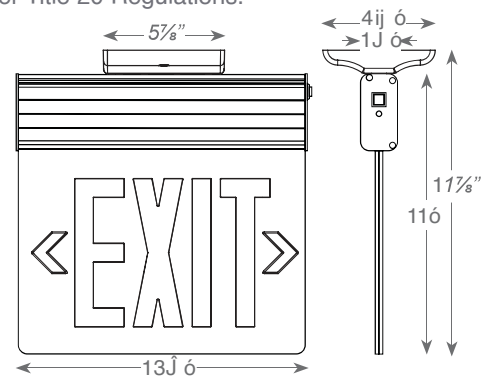
OPTIONS

2C-120V/2C-277V: Voltage-specific dual circuit option on the AC-only unit enables it to be connected to two different supplies at the same time. SDT: Self-diagnostic feature performs monthly, biannual, and annual tests to ensure reliable operation and meets electrical and life safety codes. USA: Substantial transformation assembly in the U.S. complies with Assembled in the USA under the Buy American Act. SPV: UL Listed for 208/220/240 Volt, 50/60Hz. Custom: Signs available with requested special wording.

WARRANTY / LISTING

Five year warranty on all electronics and housing. Battery prorated for five years. Meets UL924, NFPA 101 Life Safety Code, NEC, OSHA, Local and State Codes. UL Listed for damp locations (0°C to 50°C). Certified to CEC under Title 20 Regulations.

DIMENSIONS



ORDERING INFORMATION

Sample Part Number: SEEXEL1RCAEM

MODEL	No. of FACES	LETTER COLOR	PANEL	HOUSING COLOR	BATTERY	OPTIONS
SEEXEL	1 Single Face	R Red	C Clear ¹	W White	(blank) AC-Only	2C-120 Dual Circuit With 120V Input ²
	2 Double Face	G Green	M Mirror	B Black	EM Battery Backup	2C-277 Dual Circuit With 277V Input ²
			W White	A Aluminum		SDT Self-Diagnostics ³
						USA Assembled In USA
						SPV 208/220/240 Volt, 50/60Hz ⁴
						CUSTOM Custom Wording

¹ With single face only.

² Available only with AC units.

³ Available only with EM units.

⁴ Not available with SDT.

ELECTRICAL INFORMATION

CATALOG NUMBER	INPUT WATTS (W)					INPUT AMPS (A)				
	120V	277V	208V	220V	240V	120V	277V	208V	220V	240V
SEEXEL-RED/GREEN/EMSPV	3.6	4.0	3.9	3.93	3.98	0.030	0.020	0.022	0.022	0.020
SEEXEL-RED/GREEN/SDT/2C	3.6	4.0	-	-	-	0.030	0.020	-	-	-