

Spec Grade
PROlite LED Lighting

A Division of Emergensee® Lighting, Inc.

TYPE: _____ DATE: _____

JOB NAME: _____

CONTRACTOR: _____

CATALOG NO: _____

NOTES: _____

PB9Q EasyLED Curve Bollard, Nautical Series



The LEPG nautically inspired PB9Q Curve Bollard provides pedestrian and parking area lighting with a seaside flair. The specially designed UV-stabilized polycarbonate optics offer full-cutoff, excellently controlled uniform lighting designed to replace HID lighting systems up to 70w MH or HPS. These fixtures are ideal for a wide range of applications including parking areas, walkways and landscape accents.

Specifications and Features:

Housing: Durable One-Piece Sand Cast Aluminum Housing Features 1/2" Thick Walls. Includes Flush Mounting Base & Vandal-Resistant Screws, Internal Driver Tray for Easy Maintenance.

Listing & Ratings: CSA: Listed for Wet Locations, ANSI/UL 1598, 8750 IP65

Finish: Textured Architectural Bronze or Black Powdercoat Finish Over a Chromate Conversion Coating. Custom Colors Available Upon Request.

Lens: Clear UV-Stabilized Polycarbonate Vandal-Resistant Lens

Mounting Options: Mounting Kit with 8" Zinc-Plated Anchor Bolts, Included.

EasyLED LED: Aluminum Boards

Wattage: 12w: Array 12w, System 13.6w; 18w: Array 18.2w, System 20.4w

Driver: Electronic Driver, 120-277V, 50/60Hz; Less Than 20% THD and PF>0.90. Standard Internal Surge Protection 2kV. 0-10V Dimming Standard for a Dimming Range of 100% to 10%; Dimming Source Current is 150 Microamps.

Warranty: 5-Year Warranty for -40°C to +50°C Environment.



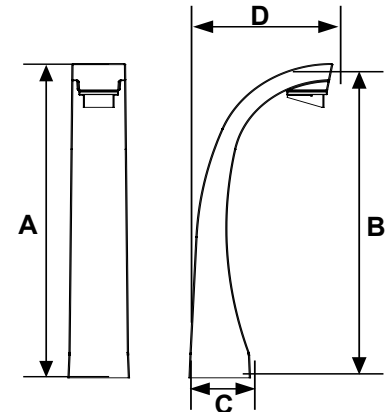
Dimensions

Height (A) 36" (915mm)

Height (B) 32 1/2" (824mm)

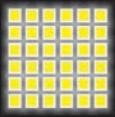
Base² (C) 6" (155mm)

Width (D) 14 1/4" (362mm)



Ordering Information:

| Model | Optics | Wattage | Driver | CCT | Lens | Color | Options |
|---|------------|----------------------|------------|----------------------------------|---|--|---|
| PB9Q | C | | U | | | | |
| PB9Q=EasyLED Curve Bollard, Nautical Series | C=Type III | 1X12=12w 1X18=18w | U=120-277V | 3K=3000K 4K=4000K 5K=5000K | C=Clear UV-Stabilized Polycarbonate Vandal-Resistant Lens | Z=Bronze B=Black C=Custom (Consult Factory) | SF=Single Fuse (120-277V Only) DF=Double Fuse (120-277V Only) SP=Surge Protection GF1=GFCI Outlet, 15A, 120V (Side Mount Only) |



Spec Grade
PROlite LED Lighting

A Division of Emergensee® Lighting, Inc.

TYPE: _____ DATE: _____

JOB NAME: _____

CONTRACTOR: _____

CATALOG NO: _____

NOTES: _____

Accessories & Replacement Parts:



BREBASE*

*Shown Mounted



BOADP1

**Mounting Accessories
(Order Separately, Field Installed)**

BREBASE* Bollard Retrofit Base Kit Adapts New Bollards to Most Existing Bolt Patterns. Fits all LEPC Bollards. Die Cast with Powdercoat Finish, Hardware Included. 1 1/2" Dia. x 1 1/2" H

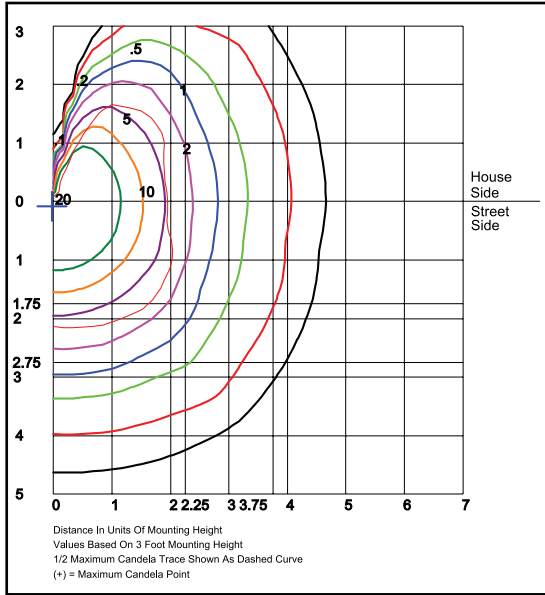
*Specify Color: Z=Bronze, B=Black, C=Custom (Consult Factory)

**Replacement Parts
(Order Separately, Field Installed)**

B9LFB Lens Frame, Black Finish

BOADP1 Adapter Plate with Gaskets for Outlet Boxes. Fits LEPC Round Bollards. Die Cast with Bronze Powdercoat Finish.

Photometric Data



PB9QC1X18U5K
Grid in feet, Mounting Height = 3 ft.

Photometric Performance

| | Wattage (Catalog Logic) | 12W (1X12) | 18W (1X18) |
|-------------|----------------------------|------------------|---------------|
| | Input Watts | 13.6W | 20.4W |
| Optic | CCT | Delivered Lumens | |
| Clear Glass | 3000K | 1,427 | 2,140 |
| | 4000K | 1,548 | 2,322 |
| | 5000K | 1,612 | 2,418 |
| | BUG Rating | B1-U0-G1 | B1-U0-G1 |

Projected Lumen Maintenance

| Data shown for 5000 CCT | | Compare to MH | | | | |
|--------------------------------------|--------------------------------------|---------------|------------|------------|-------------|---------------------|
| TM-21-11 | Input Watts | Initial | 25,000 Hrs | 50,000 Hrs | 100,000 Hrs | Calculated LED Life |
| L70 Lumen Maintenance @ 25°C / 77°F | All wattages up to and including 20w | 1.00 | 0.96 | 0.92 | 0.85 | 196,000 |
| L70 Lumen Maintenance @ 50°C / 122°F | | 1.00 | 0.90 | 0.81 | 0.62 | 78,000 |
| L80 Lumen Maintenance @ 40°C / 104°F | | 1.00 | 0.96 | 0.85 | 0.92 | 126,000 |

- NOTES:
- Projected per IESNA TM-21-11. Data references the extrapolated performance projections for the 525mA base model in a 25°C ambient, based on 10,000 hours of LED testing per IESNA LM-80-08.
 - Compare to MH box indicates suggested Light Loss Factor (LLF) to be used when comparing to Metal Halide (MH) systems.