

Excursion (PEXN)

LED Parking Garage/Canopy Luminaire



OVERVIEW	
Lumen Package	3,000 - 11,000
Wattage Range	22 - 87
Efficacy Range (LPW)	122 - 144
Weight lbs(kg)	13.5 (6.1)



FEATURES & SPECIFICATIONS

Construction

- Precision die-cast aluminum housing and lens frame for durability and consistency.
- Architecturally pleasing with no visible electronics, hardware, or seams from ground level.
- Hinged 16ga galvanized mounting bracket provided for ease of installation and maintenance.
- Luminaire is proudly manufactured in the U.S. of U.S. and Foreign parts.
- Fixtures are finished with polyester powder coat finishing process. The DuraGrip finish withstands extreme weather changes without cracking or peeling. Other standard finishes available. Consult factory.
- 3G rated for ANSI C136.31 high vibration applications (Direct Mount only).
- Shipping weight: 13.5 lbs in carton.

Optical System

- Utilizes edge-lit technology providing best-in-class uniformity and excellent visual comfort with minimal glare.
- Optically clear acrylic light guide with tailored refractive distribution.
- Best in class high brightness LED's provide uniform light guide luminance with no dead spots.
- Choice of two high performance distributions: Type 5 Wide and Type 5 Narrow (a concentrated distribution for atrium and exit/egress applications).
- Uplight option adds 5% to the overall light output.
- Available in 5000K, 4000K and 3000K color temperatures per ANSI C78.377.
- Minimum CRI of 70.

Electrical

- High-performance programmable driver features over-voltage, under voltage, short-circuit and over temperature protection. Custom lumen and wattage packages available.
- 0-10 volt dimming (10% - 100%) standard.
- Standard Universal Voltage (120-277 Vac) Input 50/60 Hz. Optional High Voltage 347/480Vac.
- L70 Calculated Life: > 100k Hours (See Lumen Maintenance Chart)
- Total harmonic distortion: <20%
- Operating temperature: -40°C to +50°C (-40°F to +122°F)
- Power factor: >.90
- Input power stays constant over life.
- High-efficacy LEDs with integrated circuit board mount directly to the housing to maximize heat dissipation and promote long life.
- Driver components are fully encased in potting material for moisture resistance. Driver complies with FCC standards.
- Optional 10kV surge protection device meets a minimum Category C Low operation (per ANSI/IEEE C62.41.2).
- Optional integral emergency battery pack provides 90-minutes of constant power to the LED system, ensuring code compliance. A test switch/indicator button is installed on the housing for ease of maintenance. The fixture delivers 1500 lumens during emergency mode.

Controls

- Optional integral passive infrared Blue-tooth™ motion and photocell sensor (see page 5 for more details). Fixtures operate independently and can be commissioned via iOS or Android configuration app
- wireless control system options reduce energy and maintenance costs while optimizing light quality 24/7. (see page 5 for more details)

Installation

- Standard mounting is a rigid 3/4" pendant mount or direct surface mount to a 4" (102mm) octagon box (box by others).
- Accessory Wall Mount Arm available for interior wall surfaces or covered damp locations.

Warranty

- LED Fixtures carry a 5-year warranty.
- 1 Year warranty on optional Battery Back Up.

Listings

- Listed to UL 1598 and UL 8750
- Meets Buy American Act requirements.
- State of California Title 24 compliant.
- Suitable for covered damp location applications.
- 3G rated for ANSI C136.31 high vibration applications (Direct Mount only).
- DesignLights Consortium™ (DLC) qualified product. Not all versions of this product may be DLC qualified. Please check the DLC Qualified Products List at www.designlights.org/QPL to confirm which versions are qualified.

JOB NAME: _____
 TYPE: _____
 PART #: _____
 NOTES: _____

ORDERING GUIDE

TYPICAL ORDEREXAMPLE: **PEXN D EGLED 8LT5W UNV DIM 40 70CRI ALSCS MSV**

Family	Mounting	LED Technology	Lumen Package	Distribution	Voltage	Dimming	Color Temperature
PEXN- Excursion Parking Garage/Canopy Luminaire	D - Direct Mount	EGLED- Edge-Lit LED	3L - 3000 lms	T5W - Type V Wide T5N - Type V Narrow	UNV - Universal Electronic (120V-277V) HV - High Voltage (347V- 480V)	DIM - Dim to 10% (0-10V)	50 - 5000K
	P - Pendant Mount 5ft Cord		5L - 5000 lms				40 - 4000K
	PL - Pendant Mount, 7ft Cord ¹		6L - 6000 lms	Uplight T5WU - Type V Wide Uplight (5% up) ² T5NU - Type V Narrow Uplight (5% up) ²			30 - 3000K
			8L - 8000 lms				
			10L - 10000 lms 11L - 11000 lms				
			Custom Lumen Packages ⁶				

Color Rendering	Controls	EM	Finish	Options
70CRI - 70 Color Rendering Index	Blank - No Controls ALSC- Airlink Synapse Wireless Digital Controller ALSCS1- Airlink Synapse Wireless Digital Controller with Sensor (mounting 8 to 12 feet) ALSCS2- Airlink Synapse Wireless Digital Controller with Sensor (mounting 12 to 20 feet) ALBCS1- AirLink Blue Wireless Motion & Photo Sensor Controller (8-24' mounting height) ALBCS2- AirLink Blue Wireless Motion & Photo Sensor Controller (25-40' mounting height) IMSBT1- Integral Bluetooth™ Motion and Photocell Sensor max 8-24' mounting height ⁴ IMSBT2- Integral Bluetooth™ Motion and Photocell Sensor max 25-40' mounting height ⁴ LLC- LimeLight Integral Wireless Radio Control by Lutron LLCS1- Limelight Integral Wireless Radio Control and PIR Motion/Daylight Sensor by Lutron 8-15' mt height ³ LLCS2- Limelight Integral Wireless Radio Control and PIR Motion/Daylight Sensor by Lutron 16-30' mt height ³ LLCS3- Limelight Integral Wireless Radio Control and PIR Motion/Daylight Sensor by Lutron 31-40' mt height ³	Blank - No Battery BB- Battery Backup ⁵ CWBB- Cold Weather Battery Backup ⁵	BLK- Black WHT- White MSV- Metallic Silver BRZ- Bronze	Blank - No Option SP1 - 10kV Surge Protection

Footnotes:

1 - 7ft cord required when ordering stem ST 60 3.
 2 - Bird Guard and Uplight can not be used together.
 3 - Not available with HV.
 4 - smartphone's native app store.
 5 - Battery Backup and Cold Weather Battery Backup available in UNV only; not available with external dimming or 10L and 11L. BB rated 50°C to 10°C. CWBB rated 50°C to -20°C.
 6 - Custom lumen and wattage packages available consult factory. Values are within industry standard tolerances but not DLC listed.

ACCESSORY ORDERING INFORMATION (FIELD INSTALLED)




Description	Order Number	Image
Tamper Resistant Hardware Kit	685007	N/A
Bird Guard * Standard finishes available in white (WHT), black (BLK), metallic silver (MSV) and bronze (BRZ); other custom finishes available may require longer lead-times	695882CLR	
Wire Guard BLK only	695591	
House Side Shield BLK only	695593	
Wall Mount Arm Formed 16 gauge steel bracket designed to attach precisely to the Excursion housing and easily mount to a wall. Finished with polyester powder coat finishing process. Mount to 4 inch J-Box (by others) on interior wall surfaces or covered damp locations. Not designed for exterior locations exposed to direct contact with water. Weight 17.5 lbs. *Standard finishes available in white (WHT), black (BLK), metallic silver (MSV) and bronze (BRZ); other custom finishes available but may require longer lead-times *Wall mount arm is not compatible with Bird Guard or Uplight Distribution.	724323CLR	

JOB NAME: _____
 TYPE: _____
 PART #: _____
 NOTES: _____

ORDERING GUIDE (CONT.)



PENDANT ACCESSORIES (FIELD INSTALLED)

TYPICAL ORDEREXAMPLE: **BC600 3 BLK**

Description	Order Number	Image
3/4"(19mm) Top Decorative Box Cover Aligner	BC600 3	
3/4"(19mm) Top Round Box Cover Aligner	BC585	
3/4"(19mm) Top Square Box Cover Aligner	BC585SQ	

STEM ACCESSORIES (FIELD INSTALLED)

TYPICAL ORDEREXAMPLE: **ST6 3 BLK**

Description	Order Number	Image
3/4" x 6" (19mmx152mm) Aluminum Stem	ST 6 3	
3/4" x 12" (19mmx .4m) Aluminum Stem	ST 12 3	
3/4" x 18" (19mmx .5m) Aluminum Stem	ST 18 3	
3/4" x 24" (19mmx .6m) Aluminum Stem	ST 24 3	
3/4" x 36" (19mmx .9m) Aluminum Stem	ST 36 3	
3/4" x 48" (19mmx 1.2m) Aluminum Stem	ST 48 3	
3/4" x 60" (19mmx 1.5m) Aluminum Stem (Must order PL - PendantMount, 7ft Cord)	ST 60 3	
3/4" (19mm) Aluminum Stem Coupler	COP 3	

* Standard canopy finishes available in white (WHT), black (BLK) and bronze (BRZ); other custom finishes available may require longer lead-times.

PERFORMANCE

DELIVERED LUMENS*		3000K		4000K		5000K		Avg. Watts
Lumen Level	Optic	Delivered Lumens	Efficacy	Delivered Lumens	Efficacy	Delivered Lumens	Efficacy	
3L	T5W	2940	131	3140	140	3140	140	22
	T5N	3000	134	3200	143	3200	143	
5L	T5W	4960	134	5240	142	5240	142	37
	T5N	5010	135	5340	144	5340	144	
6L	T5W	5880	132	6260	141	6260	141	44
	T5N	5990	135	6380	144	6380	144	
8L	T5W	7730	129	8230	137	8230	137	60
	T5N	7880	131	8390	140	8390	140	
10L	T5W	9450	124	10010	132	10010	132	76
	T5N	9580	126	10200	134	10200	134	
11L	T5W	10630	122	11130	128	11130	128	87
	T5N	10650	122	11340	130	11340	130	

*Lumen and watt values are nominal.
 NOTE: Uplight adds 5% to the overall light output.

ELECTRICAL DATA*							
Lumen Level	Watts	120V	208V	240V	277V	347V	480V
3L	T5W/T5N	0.19	0.11	0.09	0.08	0.06	0.05
	T5WU/T5NU	0.20	0.11	0.10	0.09	0.07	0.05
5L	T5W/T5N	0.31	0.18	0.15	0.13	0.11	0.08
	T5WU/T5NU	0.33	0.19	0.16	0.14	0.11	0.08
6L	T5W/T5N	0.37	0.21	0.19	0.16	0.13	0.09
	T5WU/T5NU	0.39	0.23	0.20	0.17	0.14	0.10
8L	T5W/T5N	0.50	0.29	0.25	0.22	0.17	0.13
	T5WU/T5NU	0.53	0.31	0.27	0.23	0.18	0.13
10L	T5W/T5N	0.63	0.37	0.32	0.27	0.22	0.16
	T5WU/T5NU	0.67	0.39	0.34	0.29	0.23	0.17
11L	T5W/T5N	0.73	0.42	0.36	0.31	0.25	0.18
	T5WU/T5NU	0.77	0.44	0.38	0.33	0.27	0.19

*Electrical data at 25C (77F). Actual wattage may differ by +/-10%.

RECOMMENDED LUMEN MAINTENANCE ¹					
Ambient Temperature	0 hrs. ¹	25K hrs. ¹	50K hrs. ¹	75K hrs. ¹	100K hrs. ¹
0 C	100%	93%	86%	80%	74%
10 C	100%	93%	86%	80%	74%
20 C	100%	93%	86%	80%	74%
25 C	100%	94%	88%	83%	78%
30 C	100%	94%	88%	82%	77%
40 C	100%	93%	87%	80%	75%

¹ - In accordance with IESNA TM-21-11, Projected Values represent interpolated value based on time durations that are within six times (6X) the IESNA LM-80-08 total test duration (in hours) for the device under testing (DUT) i.e. the packaged LED'S).

PHOTOMETRICS

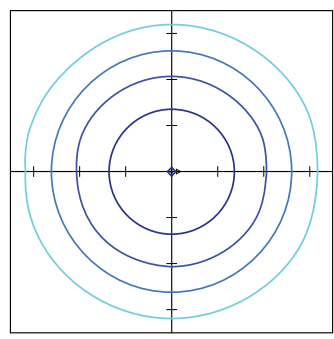
Luminaire photometry has been conducted by an accredited testing laboratory in accordance with IESNA LM-79-08. As specified by IESNA LM-79-08 the entire luminaire is tested as the source resulting in a luminaire efficiency of 100%.

PEXN EGLED-10L-T5W-40

LUMINAIRE DATA

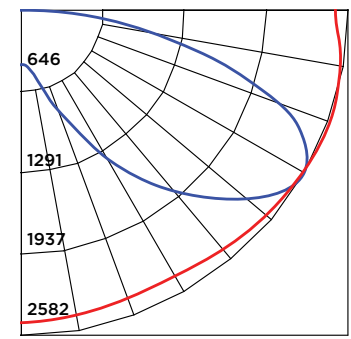
Wide Distribution	
Description	4000 Kelvin, 70 CRI
Delivered Lumens	10,005
Watts	76
Efficacy	132
IES Type	Type VS - Very Short
BUG Rating	B3-U0-G3

ISOFOOT CANDLEPLOT



10' Mounting Height / 10' Grid Spacing
 ■ 5 FC ■ 2 FC ■ 1 FC ■ .5 FC

POLAR CURVE



Zonal Lumen Summary

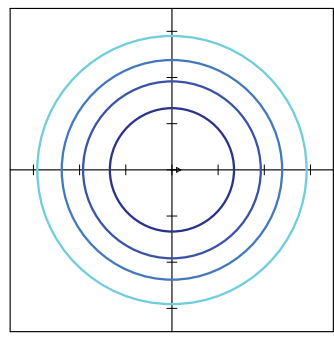
Zone	Lumens	%Luminaire
Low (0-30)°	740.1	7.4%
Medium (30-60)°	4772.2	47.7%
High (60-80)°	4037.0	40.4%
Very High (80-90)°	455.6	4.6%
Uplight (90-180)°	0.0%	0.0%
Total Flux	10004.9	100%

PEXN EGLED-10L-T5N-40

LUMINAIRE DATA

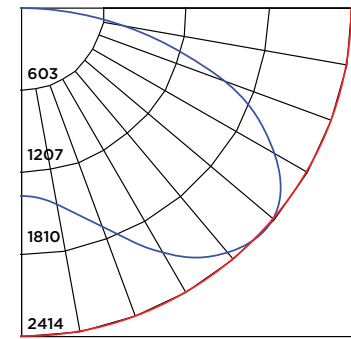
Wide Distribution	
Description	4000 Kelvin, 70 CRI
Delivered Lumens	10,200
Watts	76
Efficacy	134
IES Type	Type VS - Very Short
BUG Rating	B3-U0-G2

ISOFOOT CANDLEPLOT



10' Mounting Height / 10' Grid Spacing
 ■ 5 FC ■ 2 FC ■ 1 FC ■ .5 FC

POLAR CURVE



Zonal Lumen Summary

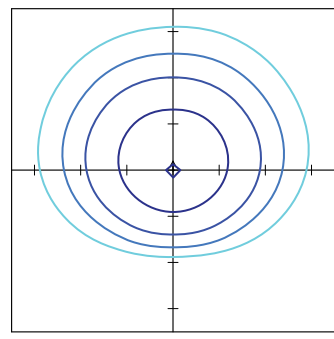
Zone	Lumens	%Luminaire
Low (0-30)°	1467.4	14.4%
Medium (30-60)°	5308.8	52.0%
High (60-80)°	3089.0	30.3%
Very High (80-90)°	335.2	3.3%
Uplight (90-180)°	0.0%	0.0%
Total Flux	10200.4	100%

PEXN EGLED-10L-T5W-40 (House Side Shield)

LUMINAIRE DATA

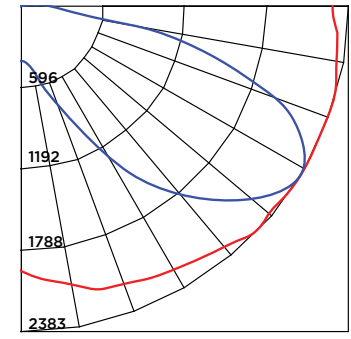
Wide Distribution	
Description	4000 Kelvin, 70 CRI
Delivered Lumens	6,971
Watts	76
Efficacy	92
IES Type	Type IV - Very Short
BUG Rating	B2-U0-G2

ISOFOOT CANDLEPLOT



10' Mounting Height / 10' Grid Spacing
 ■ 5 FC ■ 2 FC ■ 1 FC ■ .5 FC

POLAR CURVE



Zonal Lumen Summary

Zone	Lumens	%Luminaire
Low (0-30)°	675.7	9.7%
Medium (30-60)°	3740.8	53.7%
High (60-80)°	2347.4	33.7%
Very High (80-90)°	207.2	3.0%
Uplight (90-180)°	0.0	0.0%
Total Flux	6971.1	100%

PHOTOMETRICS (CONT)

PEXN EGLED-10L-T5WU-40

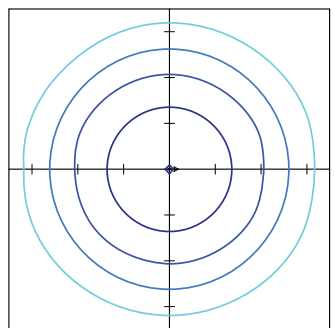
LUMINAIRE DATA

Wide Distribution	
Description	4000 Kelvin, 70 CRI
Delivered Lumens	10,342
Watts	80
Efficacy	129
IES Type	Type VS- Very Short
BUG Rating	B3-U3-G3

Zonal Lumen Summary

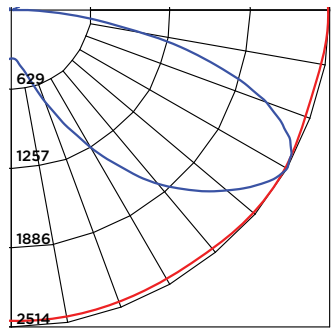
Zone	Lumens	%Luminaire
Low (0-30)°	686.0	6.6%
Medium (30-60)°	4652.6	45.0%
High (60-80)°	4038.0	39.0%
Very High (80-90)°	469.4	4.5%
Uplight (90-180)°	496.0	4.8%
Total Flux	10342.0	100%

ISOFOOT CANDLEPLOT



10' Mounting Height / 10' Grid Spacing
 ■ 5 FC ■ 2 FC ■ 1 FC ■ .5 FC

POLAR CURVE



629
1257
1886
2514

PEXN EGLED-10L-T5NU-40

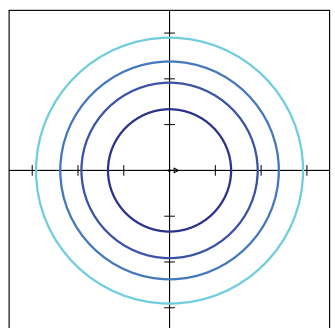
LUMINAIRE DATA

Wide Distribution	
Description	4000 Kelvin, 70 CRI
Delivered Lumens	6,971
Watts	76
Efficacy	92
IES Type	Type IV - Very Short
BUG Rating	B2-U0-G2

Zonal Lumen Summary

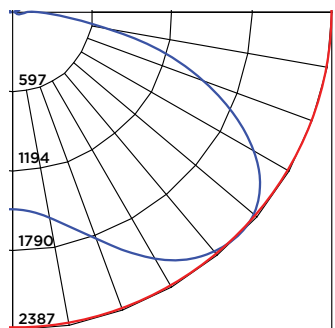
Zone	Lumens	%Luminaire
Low (0-30)°	675.7	9.7%
Medium (30-60)°	3740.8	53.7%
High (60-80)°	2347.4	33.7%
Very High (80-90)°	207.2	3.0%
Uplight (90-180)°	0.0	0.0%
Total Flux	6971.1	100%

ISOFOOT CANDLEPLOT



10' Mounting Height / 10' Grid Spacing
 ■ 5 FC ■ 2 FC ■ 1 FC ■ .5 FC

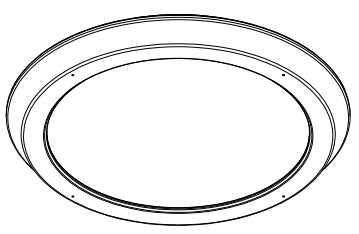
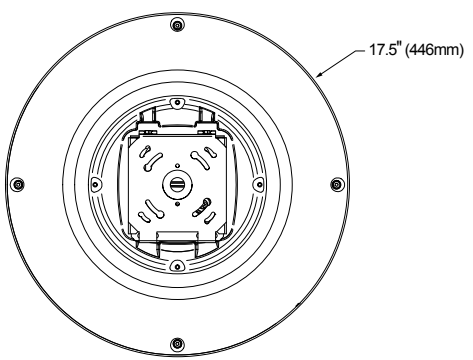
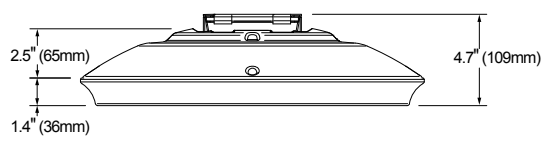
POLAR CURVE



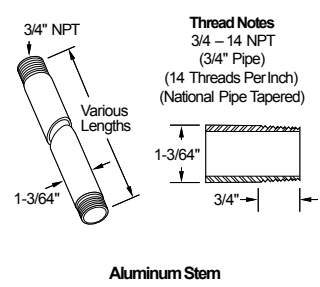
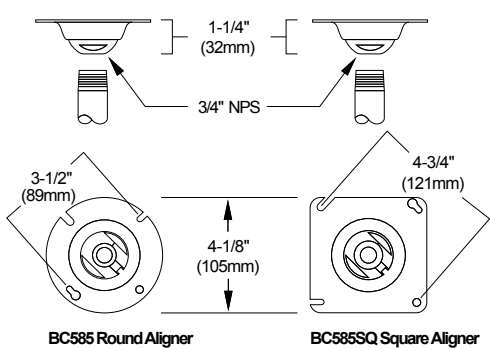
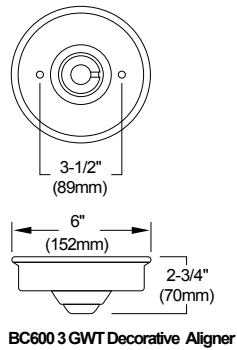
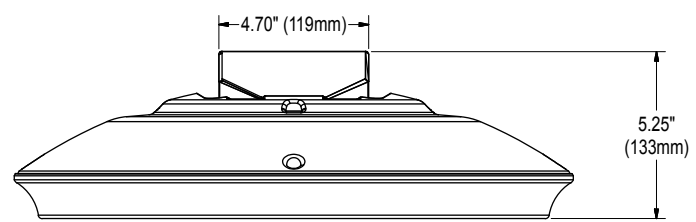
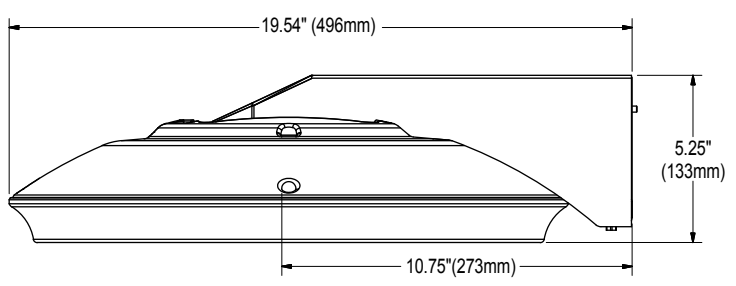
597
1194
1790
2387

JOB NAME: _____
 TYPE: _____
 PART #: _____
 NOTES: _____

PRODUCT DIMENSIONS



724323CLR Wall Mount Arm



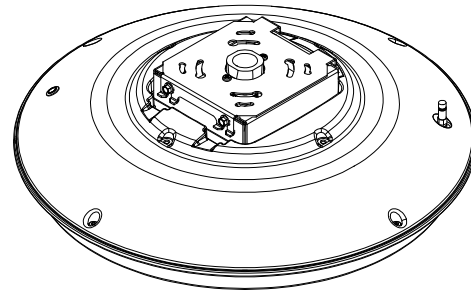
JOB NAME: _____
 TYPE: _____
 PART #: _____
 NOTES: _____

CONTROLS

AirLink Wireless Lighting Controller

The AirLink integrated controller is a California Title 24 compliant lighting controller that provides real-time light monitoring and control with utility-grade power monitoring. It includes a 24V sensor input and power supply to connect a sensor into the outdoor AirLink wireless lighting system.

The wireless integrated controller is compatible with this fixture.



Integral Bluetooth™ Motion and Photocell Sensor (IMSBT)

Slim low profile sensor provides multi-level control based on motion and/or daylight. Sensor controls 0-10 VDC LED drivers and is rated for cold and wet locations (-30° C to 70° C). Two unique PIR lenses are available and used based on fixture mounting height. All control parameters are adjustable via an iOS or Android App capable of storing and transmitting sensor profiles.

AirLink™ Blue

Wireless Bluetooth Mesh Lighting Control System that provides energy savings, code compliance and enhanced safety/security. Three key components; Bluetooth wireless radio/sensor controller, Time Keeper and an App. Capable of grouping multiple fixtures and sensors as well as scheduling time-based events by zone. Radio/Sensor Controller is factory integrated into luminaires.