

PWPE Economy Wall Packs

STANDARD



FEATURES

- Available in 3000k, (warm white), 4000k (neutral white), and 5000k (cool white) color temperatures.*
- Long-life LEDs provide at least 70% of initial lumen output (L₇₀) for ≥ 174,000 hours of operation, and at least 90% of initial lumen output (L₉₀) for ≥ 51,000 hours of operation.*
- LED chromaticity based on < 6-step ANSI quadrangles.
- LED color maintenance < 0.002 chromaticity shift over the initial 6,000 of operation.
- Provides a range of 2,614 to 2,794 nominal lumens and 134 to 144 nominal lumens per watt (lm/W).
- 0-10vdc dimming drivers, which provide 10% continuous dimming are standard.
- Universal 120-277 AC voltagē (50-60Hz) is standard.
- Power factor > 0.90.
- Total harmonic distortion < 20%.
- Color rendering index (R_a) > 80. Red color rendering > -8.
- Cast aluminum housing with dark bronze, powder coat finish.
- Integral photocell is standard.
- Diffused polycarbonate lens.
- Two ½" NPT threaded openings.
- Easy installation in new construction or retrofit applications.



WARRANTY & LISTINGS

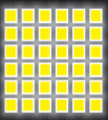
- cULus listed for wet locations in ambient temperatures from -30°C to 45°C (-22°F to 113°F).
- IP65 rated for ingress protection.
- DLC 5.1 premium approved.
- Complies with FCC Part 15, class B.
- Surge immunity protection (2.5kV).
- 5-year warranty of all electronics and housing.

ELECTRICAL DATA

Model	Color Temperature	CRI	Luminaire Lumens	Luminaire Watts	Lumens/Watt	Input Voltage	Input Current (A)			Power Factor	THD	L70 Hours
							120V	240V	277V			
PWPE-3L-3K	3000k	>80	2,614	19	134	120-277	0.16	0.08	0.07	>0.90	<20%	174,000
PWPE-3L-4K	4000k	>80	2,794	19	144	120-277	0.16	0.08	0.07	>0.90	<20%	174,000
PWPE-3L-5K	5000k	>80	2,745	19	142	120-277	0.16	0.08	0.07	>0.90	<20%	174,000

ORDERING INFORMATION

Series	Nominal Lumen Output	Color Temperature	
PWPE	3L		
	3,000 lumens	3K	3000k
		4K	4000k
		5K	5000k



Job Name: _____

Type: _____

Part #: _____

Notes: _____

PHOTOMETRIC DATA

PWPE-3L-4K

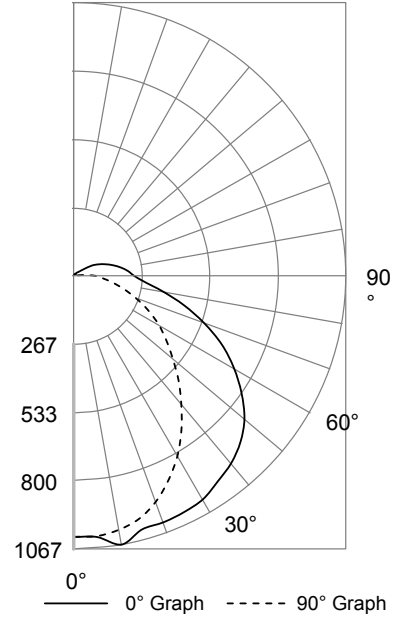
Luminaire Data

Description	Economy Wall Pack 3L, 4K
Total Lumens	2,794
Input Wattage	19
Efficacy (lm/W)	144
Max. Cd.	1066.59 (360H, 10V)
IES Classification	Type IV
Longitudinal Classification	Very Short

Luminaire Classification Systems (LCS)

LCS Zone	Lumens	%Lum
FL 0-30	406	14.5%
FM 30-60	803	28.7%
FH 60-80	404	14.5%
FVH 80-90	113	4.0%
BL 0-30	338	12.1%
BM 30-60	342	12.2%
BH 60-80	106	3.8%
BVH 80-90	24	0.9%
UL 90-100	93	3.3%
UH 100-180	165	5.9%
Total	2,794	100.0%
BUG Rating	B1-U3-G2	

180° Polar Graph



Zonal Lumen Summary

Zone	Lumens	%Fixt
0-30°	744	26.6%
0-60°	1,888	67.6%
0-80°	2,399	85.8%
80-90°	137	5.4%*
0-90°	2,536	90.8%
90-110°	157	5.6%
110-180°	0	0.0%
0-180°	2,794	100.0%

* 80-90° glare zone is calculated by dividing the lumens in that zone by the lumen total in the 0-90° zone