

SEEEM

LED Emergency Unit

STANDARD



OPTIONAL



ILLUMINATION

- Long lasting, efficient, ultra bright white LED lamp heads.
- 1.5W (3 LEDs x 0.50 watt) per head.
- Unique all-inclusive lamp, reflector and lens assembly.
- Adjustable LED lamp heads provide optimal center-to-center spacing.

ELECTRICAL

- Dual 120/277 voltage.
- Charge rate/power "ON" LED indicator light and push-to-test switch for mandated code compliance testing.
- 3.6V long life, maintenance-free, rechargeable NiCd battery.
- Internal solid-state transfer switch automatically connects the internal battery to LED lamp heads for minimum 90-minute emergency illumination.
- Fully automatic solid-state, two rate charger initiates battery charging to recharge a discharged battery in 24 hours.
- Remote capacity available as an option.

MOUNTING

- Surface mount via easy connect back plate which fits most standard junction boxes.
- Suitable for wall or ceiling mount.
- Knockout for conduit applications.

HOUSING

- Injection-molded, engineering grade, 5VA flame retardant, high-impact resistant, thermoplastic in white or black finish.

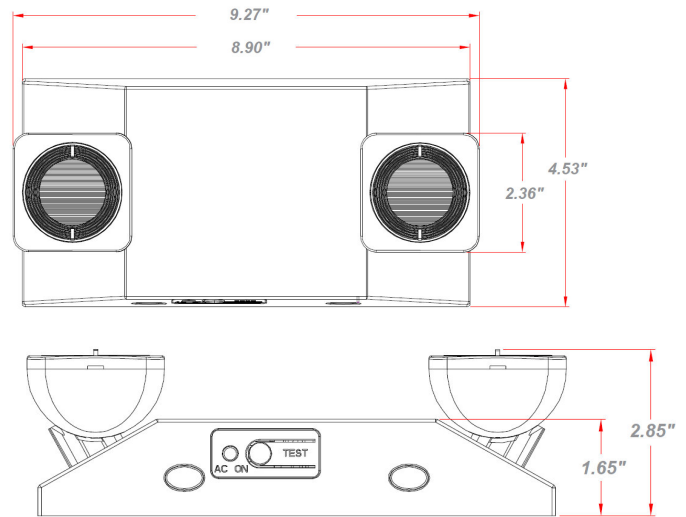
OPTIONS

- SDT: Self-diagnostic feature performs monthly, biannual, and annual tests to ensure reliable operation and meet electrical and life safety codes.
- NH: No lampheads attached to the unit enabling it to be used as a remote capable unit.

WARRANTY / LISTING

- Five year warranty on all electronics and housing. Batteries pro rated for five years.
- UL listed for damp locations (0°C – 50°C).
- Meets UL924, NFPA 101 Life Safety Code, NEC, OSHA, Local and State Codes.
- Certified to CEC under title 20 regulations.

DIMENSIONS



ORDERING INFORMATION

MODEL	HOUSING COLOR	OPTIONS
SEEEM	W White	SDT Self-diagnostics ¹
	B Black	RC Remote capable
		NH No heads ¹

Sample Part Number: **SEEEMWRC**

¹ SDT and NH options are not available together.