

# SEEHPERM

## High Performance LED Emergency Unit

### STANDARD

### OPTIONAL



### ILLUMINATION

- Long lasting, efficient, ultra bright white LED lamp heads.
- 12W (12 LEDs x 1.0 Watt) per head.
- Adjustable LED lamp heads provide optimal center-to-center spacing.

### ELECTRICAL

- Dual 120/277 voltage.
- Charge rate/power "ON" LED indicator light and push-to-test switch for mandated code compliance testing.
- 9.6V maintenance-free, rechargeable lithium iron phosphate battery.
- Internal solid-state transfer switch automatically connects the internal battery to lamp heads for minimum 90-minute emergency illumination.
- Fully automatic solid-state, two rate charger initiates battery charging to recharge a discharged battery in 24 hours.
- Remote capacity of up to 3W available as a standard.

### MOUNTING

- Surface mount via easy connect back plate which fits most standard junction boxes.
- Suitable for wall or ceiling mount.
- Knockout for conduit applications.

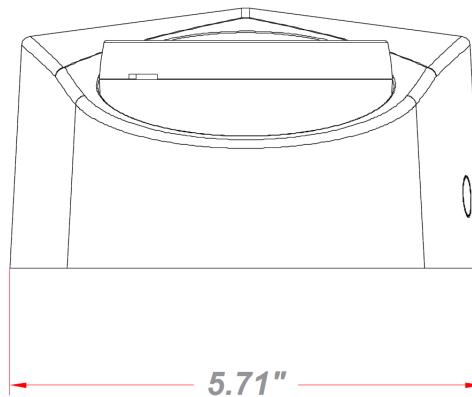
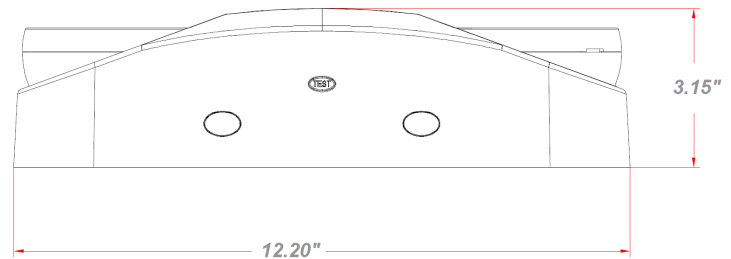
### HOUSING

- Injection-molded, engineering grade, 5VA flame retardant, high-impact resistant, thermoplastic in white or black finish.

### WARRANTY / LISTING

- Five year warranty on all electronics and housing. Battery pro rated for two years.
- Meets UL924, NFPA 101 Life Safety Code, NEC, OSHA, Local and State Codes.
- UL Listed for damp locations (0°C – 50°C).

### DIMENSIONS



### ORDERING INFORMATION

Sample Part Number:  
**SEEHPERMW**

MODEL	HOUSING COLOR
SEEHPERM	W White
	B Black