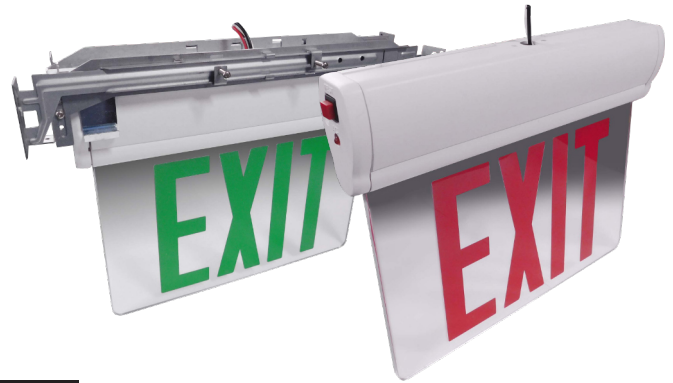


SEELAX

Adjustable Plastic Edgelit Exit Sign

STANDARD



ILLUMINATION

- Ultra bright, energy efficient, long life Red or Green LEDs.
- UV-stabilized acrylic edgelit panel provides consistent, uniform illumination.
- Universal Single/Double face utilizes factory installed silver or white mylar background panel.

ELECTRICAL

- Dual 120/277voltage standard.
- Charge rate/power“ON” LED indicator light and push-to-testswitch for mandated code compliance testing.
- 3.6V long life, maintenance-free, rechargeable NiCd battery (EM models only).
- Internal solid-state transfer switch automatically connects the internal battery to LED board for minimum 90-minute emergency illumination.
- Fully automatic solid-state, two rate charger initiates battery charging to recharge a discharged battery in 24 hours.

MOUNTING

- Plastic mounting canopy included for top, end or back mount of the Surface-version sign.
- Bar hangers included with Recessed-version for drywall or drop ceiling mount installations. Ceiling and wall-mount compatible

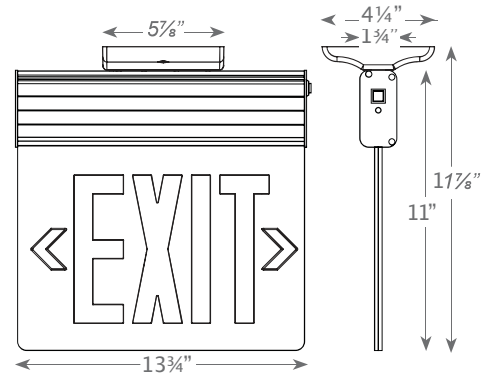
HOUSING

- Injection-molded, engineering grade, 5VA flame retardant, high-impact resistant, thermoplastic in white, black or silver powder-coated finishes.
- Thermoplastic trim assembly is easily detachable from below, providing accessibility for service or maintenance. Available in white, black or silver powder-coated finishes.
- Self-adhesive Chevron appliques and guide template provided for directional indication.

WARRANTY /LISTING

- Five year warranty on all electronics and housing. Battery prorated for five years.
- Meets UL924, NFPA 101 Life Safety Code, NEC, OSHA, Local and State Codes.
- UL Listed for damp locations (0°C - 50°C).
- Certified to CEC under Title 20 Regulations.

DIMENSIONS



Sample Part Number: SEELAXRMSEM

ORDERING INFORMATION

MODEL	No. of FACES	LETTER COLOR	PANEL	HOUSING COLOR	BATTERY	ACCESSORIES
SEELAX	(blank) Universal Single/Double Face	R Red G Green	M Mirror W White	W White B Black S Silver	(blank) AC-Only EM Battery Backup	RSEELAX-KIT Recessed-mount Conversion kit