

SEEREM

LED Recessed Emergency Unit



STANDARD



OPTIONAL

ILLUMINATION

- Ultra-bright, energy efficient, long-life White LED adjustable lamp heads provide up to 50-ft center-to-center spacing with a 3-ft path of egress at 12-ft mounting height.
- 1.0 watt (1 LED x 1.0 watt) per head.
- Unique all-inclusive lamp, reflector, and lens assembly.

ELECTRICAL

- Universal 120-277 voltage.
- Unique LED indicator light alerts occupant on battery condition (Red-normal, OFF-check battery).
- Charge rate/power "ON" LED indicator light and push-to-test switch for mandated code compliance testing.
- 4.8V long-life, maintenance-free, rechargeable nickel metal hydride battery.
- Internal solid-state transfer switch automatically connects the internal battery to LED lamp heads for minimum 90-minute emergency illumination.
- Fully automatic solid-state, two rate charger initiates battery charging to recharge a discharged battery in 24 hours.

MOUNTING

- Bar hangers included are compatible with drywall or drop ceiling mount installations.

HOUSING

- Injection-molded, engineering grade, 5VA flame retardant, impact-resistant, thermoplastic in white or black finish.
- Injection-molded, engineering grade, 5VA flame retardant, thermoplastic oval and rectangle trim plates in white or black finish included.

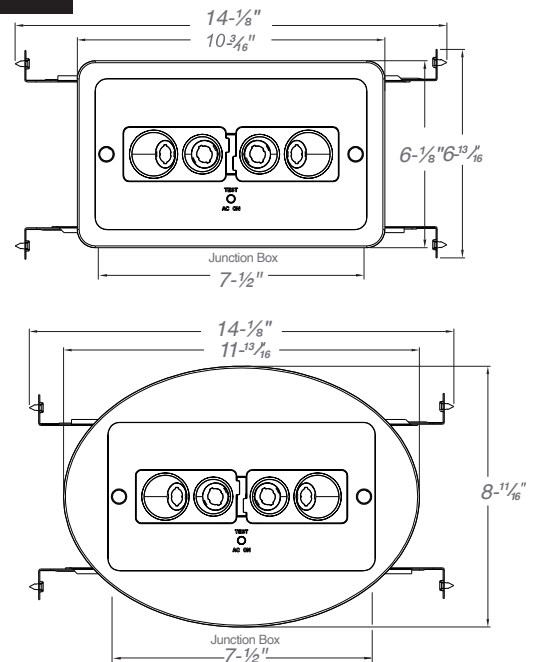
OPTIONS

- SDT: Self-diagnostic feature performs monthly, biannual, and annual tests to ensure reliable operation and meets electrical and life safety codes.

WARRANTY / LISTING

- Five-year warranty on all electronics and housing. Battery pro rated for five years.
- Meets UL924, NFPA 101 Life Safety Code, NEC, OSHA, Local and State Codes.
- UL Listed for damp locations.(10°C – 40°C)
- Certified to CEC under title 20 regulations.

DIMENSIONS



ORDERING INFORMATION

Sample Part Number:
SEEREMW

MODEL	HOUSING COLOR	OPTIONS
SEEREM	W White B Black	SDT Self-Diagnostics