

# SEEREM

## Recessed LED Emergency Unit

**STANDARD**

**OPTIONAL**



**ILLUMINATION**

- Long lasting, efficient, ultra-bright white LED lamp heads.
- 1W (1LED x 1.0 Watt) per head.
- Unique all inclusive lamp, reflector and lens assembly.
- Adjustable LED lamp heads provide optimal center-to-center spacing.

**ELECTRICAL**

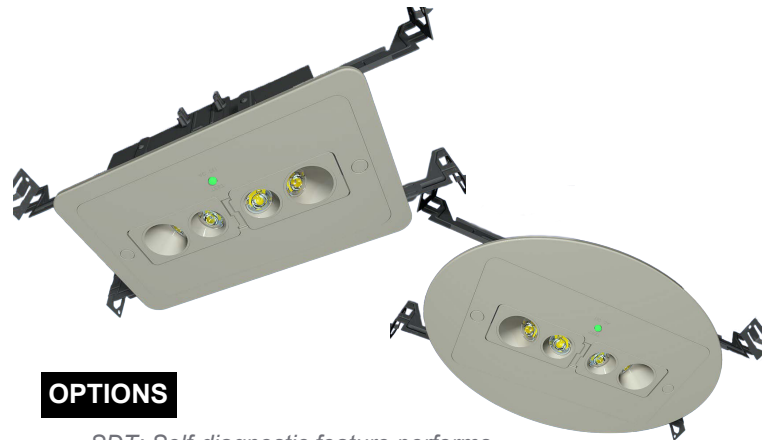
- Dual 120/277 voltage.
- Charge rate/power "ON" LED indicator light and push-to-test switch for mandated code compliance testing.
- 4.8 V maintenance -free, rechargeable lithium iron phosphate battery.
- Internal solid-state transfer switch automatically connects the internal battery to lamp heads for minimum 90-minute emergency illumination.
- Fully automatic solid-state, two rate charger initiates battery charging to recharge a discharged battery in 24 hours.

**MOUNTING**

- Bar hangers on the back box for recessed mount.
- Compatible with drop ceiling mount installations. Bar hangers included.

**HOUSING**

- Injection-molded, engineering grade, 5VA flame retardant, impact-resistant, thermoplastic housing in white or black finish.
- Thermoplastic Oval and Rectangle trim plates in white or black finish included.



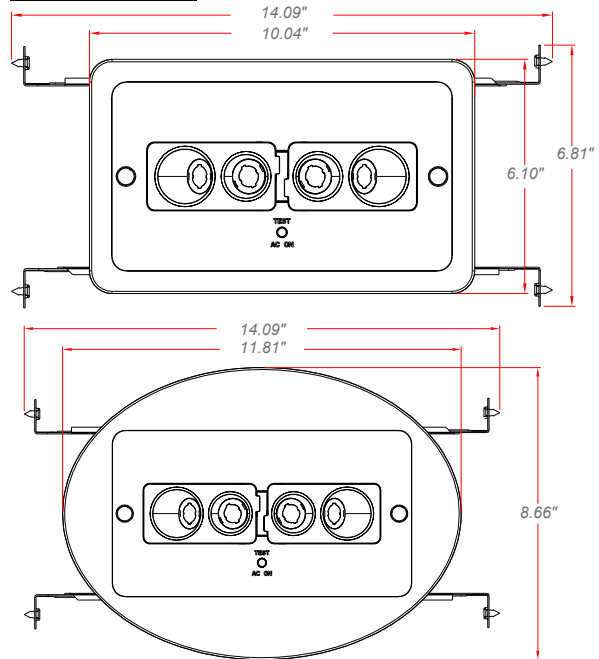
**OPTIONS**

- SDT: Self-diagnostic feature performs monthly, biannual, and annual tests to ensure reliable operation and meet electrical and life safety codes.

**WARRANTY / LISTING**

- Five year warranty on all electronics and housing. Battery pro rated for two years.
- Meets UL924, NFPA 101 Life Safety Code, NEC, OSHA, Local and State Codes.
- UL Listed for damp locations. (0°C - 50°C)

**DIMENSIONS**



**ORDERING INFORMATION**

Sample Part Number:  
**SEEREMWSDT**

Special Voltage options available.  
Check with your Best Lighting representative.

MODEL	HOUSING COLOR	OPTIONS
SEEREM	W White B Black	SDT Self-Diagnostics