

# POPS

## Opulence Small Pendant & Surface Mount (POPS)

### Outdoor Pendant & Surface Mount Luminaire



OVERVIEW	
Lumen Output Range	3,000 -14,000
Wattage	22 - 103
Efficacy Range (LPW)	95 - 168
Fixture Weight lbs (kg)	16 (7.3)



### FEATURES & SPECIFICATIONS

#### Construction

- Rugged die-cast aluminum housing.
- Architecturally pleasing with no visible electronics, hardware, or seams from ground level.
- Fixtures are finished with polyester powder coat finishing process. The finish withstands extreme weather changes without cracking or peeling. Other standard finishes available. Consult factory.
- Optional spun aluminum shroud provides a streamlined transition from stem to luminaire while also deterring nesting (3/4" stem/pendant only).

#### Optical System

- High density LED optical system delivers industry leading optical performance and visual comfort.
- 7 distribution types 3W, 4F, 5Q, 5C, 5R, 5D & AD
- Diffused lens version provides maximum visual comfort with reduced brightness and LED pixelization.
- Zero uplight.
- Available in 5000K, 4000K, 3500K, 3000K and 2700K color temperatures per ANSI C78.377.
- Minimum CRI of 80
- External Shield available for field installation (see accessory ordering information and dimensions for details).

#### Electrical

- High-performance driver features overvoltage, under-voltage, short-circuit and over temperature protection (6kV surge standard).

- 0-10V dimming (10% - 100%) standard.
- Standard Universal Voltage (120-277 VAC) Input 50/60 Hz or optional High Voltage (347-480 VAC).
- Total harmonic distortion: <20%
- Operating temperature: -40°C to +40°C (-40°F to +104°F).
- Power factor: >.90
- Input power stays constant over life.
- Optional 10kV surge protection device meets a minimum Category C Low operation (per ANSI/IEEE C62.41.2).
- Driver is fully encased in potting material for moisture resistance and complies with FCC standards. Driver and key electronic components can easily be accessed.

#### Controls

- Integral passive infrared Bluetooth™ motion and photocell sensor options. Fixtures operate independently and can be commissioned via an iOS or Android configuration app.
- Blue lighting control system is a simple feature rich wireless Bluetooth mesh network. The integrated fixture sensor module provides wireless control of grouped fixtures based on motion sensors, daylight or a fully customizable schedule. Updates and modifications to the control strategy are easily implemented via an intuitive iOS app.

#### Installation

- Pendant mounting via rigid 3/4" stem (order stem separately), 6' wire leads provided.
- Direct/surface mounts to a 4" (102mm) square or octagon box (box by others).

- Hinged 16ga galvanized mounting bracket provided for ease of installation and maintenance.
- Optional stainless steel crown for mounting to 2" tenon (order tenon separately). Wire leads pass through compression seal fitting to prevent water entry. Once-piece silicone gasket provides water and dust tight seal.
- For wall mount arm please reference POPS wall mount spec sheet.

#### Warranty

- Luminaires carry a 5-year limited warranty.

#### Listings

- Listed to UL 1598 and UL 8750.
- Meets Buy American Act requirements.
- IDA compliant; with 3000K and warmer color temperature selection.
- Title 24 Compliant; see local ordinance for qualification information.
- Suitable for wet locations.
- IP66 rated Luminaire per IEC 60598-1.
- DesignLights Consortium® (DLC) qualified product. Not all versions of this product may be DLC qualified. Please check the DLC Qualified Products List at [www.designlights.org/QPL](http://www.designlights.org/QPL) to confirm which versions are qualified.

JOB NAME: \_\_\_\_\_  
 TYPE: \_\_\_\_\_  
 PART #: \_\_\_\_\_  
 NOTES: \_\_\_\_\_

ORDERING GUIDE

TYPICAL ORDER EXAMPLE: **POPS PD 8L 5Q UNV 40K8 BLK ALBCS1**

Prefix	Mounting	Lumen Package	Distribution	Uplight
<b>POPS</b> - Opulance Small	<b>PD</b> - Pendant <b>SD</b> - Surface/Direct <sup>2</sup>	<b>3L</b> - 3,000 Lumens <b>5L</b> - 5,000 Lumens <b>6L</b> - 6,000 Lumens <b>8L</b> - 8,000 Lumens <b>10L</b> - 10,000 Lumens <b>12L</b> - 12,000 Lumens <b>14L</b> - 14,000 Lumens	<b>5Q</b> - Type 5 Square <b>5C</b> - Type 5 Concentrated <b>5R</b> - Type 5 Rectangular <b>3W</b> - Type 3 (Wide Throw) <b>4F</b> - Type 4 (Forward Throw) <b>5D</b> - Type 5 Diffused <b>AD</b> - Asymmetric Diffused	(Blank) - None <b>U</b> - Uplight Module (5% Uplight) <b>U1</b> - Uplight Module (10% Uplight)

Voltage	Color Temp	Finish	Controls	Options
<b>UNV</b> - Universal Voltage (120-277V) <b>HV</b> - High Voltage (347-480V)	<b>50K8</b> - 5,000K CCT- 80 CR <b>40K8</b> - 4,000K CCT- 80 CR <b>35K8</b> - 3,500K CCT- 80 CR <b>30K8</b> - 3,000K CCT- 80 CR <b>27K8</b> - 2,700K CCT- 80 CR	<b>BRZ</b> - Dark Bronze <b>BLK</b> - Black <b>GPT</b> - Graphite <b>GMG</b> - Gun Metal Gray <b>MSV</b> - Metallic Silver <b>PLP</b> - Platinum Plus <b>WHT</b> - White	(Blank) - None <b>Wireless Controls System</b> <b>ALBCS1</b> -AirLink Blue Wireless Motion & Photo Sensor Controller (8-24' MH) <b>ALBCS2</b> -AirLink Blue Wireless Motion & Photo Sensor Controller (25-40' MH) <b>Stand-Alone Controls</b> <b>EXT</b> - 0-10v Dimming leads extended to housing exterior <b>IMSBT1</b> - Integral Bluetooth™ Motion and Photocell Sensor (8-24' MH) <sup>3</sup> <b>IMSBT2</b> - Integral Bluetooth™ Motion and Photocell Sensor (25-40' MH) <sup>3</sup>	(Blank) - None <b>BB</b> - Battery Back-up (0°C) <sup>1</sup> <b>CWBB</b> - Cold Weather Battery Back-up (-20°C) <sup>1</sup> <b>TNA</b> - 2" Tenon Adapter (PD Only) <sup>2</sup> <b>SP1</b> - 10kV Surge Protection Device

Accessory Ordering Information

MOUNTING ACCESSORIES <sup>4</sup>	
Description	Order Number
Single Classic Hook (3/4" Stem)	BK SH S 34 CLR
2@180° Classic Hook (3/4" Stem)	BK CH D180 34 CLR
2' Gooseneck Wall Bracket, A Style (3/4" Stem)	GB-A-34 CLR
2' Gooseneck Wall Bracket, H Style (3/4" Stem)	GB-H-34 CLR
1' Gooseneck Wall Bracket, K Style (3/4" Stem)	GB-K-34 CLR
Contemporary Wall Bracket 1 (3/4" Stem)	CWBM 1 CLR
Contemporary Wall Bracket 2 (3/4" Stem)	CWBM 2 CLR
Single Classic Hook (2" Tenon) <sup>1</sup>	XDLS/XDLM BK CH S CLR
2@180° Classic Hook (2" Tenon) <sup>1</sup>	XDLS/XDLN BK CH D180 CLR
Spun Aluminium Decorative Shroud & Bird Guard (3/4" Stem) <sup>1</sup>	77084CLR
Translucent Decorative Shroud & Bird Guard (For Uplight Versions)	770847
3/4"(19mm) Top Decorative Box Cover Aligner	BC600 3 CLR
3/4"(19mm) Top Round Box Cover Aligner	BC585 CLR
3/4"(19mm) Top Square Box Cover Aligner	BC585SQ CLR
3/4" Rigid Stem (specify stem length: 6, 12, 18, 24, 36, 48 inches)	ST_ 3 CLR
External Shield (Black Finish Only)	781340

**FOOTNOTES:**  
 1 - 120-277V Only. Not available with 14L Lumen Package.  
 2 - Not available with uplight  
 4 - "CLR" denotes finish. See Finish options.

**PERFORMANCE**

DELIVERED LUMENS (POPS)*																		
Lumen Package	Distribution	CRI	2700K CCT			3000K CCT			3500K CCT			4000K CCT			5000K CCT			Wattage
			Delivered Lumens	Efficacy	BUG Rating	Delivered Lumens	Efficacy	BUGRating	Delivered Lumens	Efficacy	BUGRating	Delivered Lumens	Efficacy	BUGRating	Delivered Lumens	Efficacy	BUG Rating	
3L	5Q	80	3151	144	B2-U0-G1	3297	151	B2-U0-G1	3444	157	B2-U0-G1	3590	164	B2-U0-G1	3590	164	B2-U0-G1	22
	5C		3230	148	B2-U0-G0	3380	154	B2-U0-G0	3530	161	B2-U0-G0	3680	168	B2-U0-G0	3680	168	B2-U0-G0	
	5R		3088	141	B2-U0-G2	3231	148	B2-U0-G2	3375	154	B2-U0-G2	3518	161	B2-U0-G2	3518	161	B2-U0-G2	
	4F		2993	137	B1-U0-G1	3132	143	B1-U0-G1	3271	149	B1-U0-G1	3411	156	B1-U0-G1	3411	156	B1-U0-G1	
	3W		3119	143	B1-U0-G1	3264	149	B1-U0-G1	3409	156	B1-U0-G1	3554	162	B1-U0-G1	3554	162	B1-U0-G1	
	5D		2426	111	B1-U0-G1	2539	116	B1-U0-G1	2652	121	B1-U0-G1	2764	126	B1-U0-G1	2764	126	B1-U0-G1	
5L	5Q	80	4359	144	B3-U0-G1	4561	151	B3-U0-G1	4764	157	B3-U0-G1	4966	164	B3-U0-G1	4966	164	B3-U0-G1	30
	5C		4468	148	B2-U0-G0	4675	154	B2-U0-G0	4883	161	B2-U0-G0	5090	168	B2-U0-G0	5090	168	B2-U0-G0	
	5R		4272	141	B2-U0-G2	4470	148	B2-U0-G2	4668	154	B2-U0-G2	4867	161	B2-U0-G2	4867	161	B2-U0-G2	
	4F		4141	137	B1-U0-G1	4333	143	B1-U0-G1	4525	149	B1-U0-G1	4718	156	B1-U0-G1	4718	156	B1-U0-G1	
	3W		4315	143	B1-U0-G1	4516	149	B1-U0-G1	4716	156	B1-U0-G1	4916	162	B1-U0-G1	4916	162	B1-U0-G1	
	5D		3356	111	B1-U0-G1	3512	116	B1-U0-G1	3668	121	B1-U0-G1	3824	126	B1-U0-G1	3824	126	B1-U0-G1	
6L	5Q	80	5356	140	B3-U0-G1	5605	146	B3-U0-G1	5853	153	B3-U0-G1	6102	159	B3-U0-G1	6102	159	B3-U0-G1	38
	5C		5490	143	B2-U0-G0	5745	150	B2-U0-G0	6000	156	B2-U0-G0	6255	163	B2-U0-G0	6255	163	B2-U0-G0	
	5R		5249	137	B3-U0-G3	5492	143	B3-U0-G3	5736	149	B3-U0-G3	5980	156	B3-U0-G3	5980	156	B3-U0-G3	
	4F		5088	133	B1-U0-G1	5324	139	B1-U0-G1	5561	145	B1-U0-G1	5797	151	B1-U0-G1	5797	151	B1-U0-G1	
	3W		5302	138	B1-U0-G1	5549	145	B1-U0-G1	5795	151	B1-U0-G1	6041	157	B1-U0-G1	6041	157	B1-U0-G1	
	5D		4124	107	B2-U0-G1	4316	112	B2-U0-G1	4507	117	B2-U0-G1	4699	122	B2-U0-G1	4699	122	B2-U0-G1	
8L	5Q	80	7228	140	B3-U0-G1	7564	146	B3-U0-G1	7899	153	B3-U0-G2	8235	159	B3-U0-G2	8235	159	B3-U0-G2	52
	5C		7409	143	B2-U0-G0	7753	150	B3-U0-G0	8097	156	B3-U0-G0	8441	163	B3-U0-G0	8441	163	B3-U0-G0	
	5R		7083	137	B3-U0-G3	7412	143	B3-U0-G3	7741	149	B3-U0-G3	8070	156	B3-U0-G3	8070	156	B3-U0-G3	
	4F		6867	133	B1-U0-G2	7185	139	B1-U0-G2	7504	145	B1-U0-G2	7823	151	B1-U0-G2	7823	151	B1-U0-G2	
	3W		7156	138	B1-U0-G1	7488	145	B1-U0-G1	7820	151	B2-U0-G2	8153	157	B2-U0-G2	8153	157	B2-U0-G2	
	5D		5566	107	B2-U0-G1	5824	112	B2-U0-G1	6082	117	B2-U0-G1	6341	122	B2-U0-G1	6341	122	B2-U0-G1	
10L	5Q	80	8832	133	B3-U0-G2	9242	140	B3-U0-G2	9652	146	B3-U0-G2	10062	152	B3-U0-G2	10062	152	B3-U0-G2	66
	5C		9052	137	B3-U0-G0	9473	143	B3-U0-G0	9893	149	B3-U0-G0	10314	156	B3-U0-G0	10314	156	B3-U0-G0	
	5R		8655	131	B3-U0-G3	9057	137	B3-U0-G3	9459	143	B3-U0-G3	9861	149	B3-U0-G3	9861	149	B3-U0-G3	
	4F		8390	127	B1-U0-G2	8780	133	B1-U0-G2	9169	139	B1-U0-G2	9559	144	B1-U0-G2	9559	144	B1-U0-G2	
	3W		8743	132	B2-U0-G2	9149	138	B2-U0-G2	9555	144	B2-U0-G2	9961	150	B2-U0-G2	9961	150	B2-U0-G2	
	5D		6800	103	B2-U0-G1	7116	107	B2-U0-G1	7432	112	B2-U0-G1	7748	117	B2-U0-G1	7748	117	B2-U0-G1	
12L	5Q	80	10498	133	B4-U0-G2	10985	139	B4-U0-G2	11473	145	B4-U0-G2	11960	151	B4-U0-G2	11960	151	B4-U0-G2	79
	5C		10760	136	B3-U0-G0	11260	142	B3-U0-G0	11759	148	B3-U0-G0	12259	155	B3-U0-G0	12259	155	B3-U0-G0	
	5R		10288	130	B3-U0-G3	10765	136	B3-U0-G3	11243	142	B3-U0-G3	11721	148	B3-U0-G3	11721	148	B3-U0-G3	
	4F		9973	126	B2-U0-G2	10436	132	B2-U0-G2	10899	138	B2-U0-G2	11362	143	B2-U0-G2	11362	143	B2-U0-G2	
	3W		10393	131	B2-U0-G2	10875	137	B2-U0-G2	11358	143	B2-U0-G2	11840	149	B2-U0-G2	11840	149	B2-U0-G2	
	5D		8083	102	B3-U0-G1	8458	107	B3-U0-G1	8834	112	B3-U0-G2	9209	116	B3-U0-G2	9209	116	B3-U0-G2	
14L	5Q	80	12190	118	B4-U0-G2	12756	123	B4-U0-G2	13322	129	B4-U0-G2	13888	134	B4-U0-G2	13888	134	B4-U0-G2	103
	5C		12494	121	B3-U0-G0	13075	126	B3-U0-G0	13655	132	B3-U0-G0	14235	137	B3-U0-G1	14235	137	B3-U0-G1	
	5R		11946	115	B3-U0-G3	12501	121	B3-U0-G3	13055	126	B4-U0-G4	13610	131	B4-U0-G4	13610	131	B4-U0-G4	
	4F		11580	112	B2-U0-G2	12118	117	B2-U0-G2	12656	122	B2-U0-G2	13194	127	B2-U0-G2	13194	127	B2-U0-G2	
	3W		12068	116	B2-U0-G2	12628	122	B2-U0-G2	13189	127	B2-U0-G2	13749	133	B2-U0-G2	13749	133	B2-U0-G2	
	5D		9386	91	B3-U0-G2	9822	95	B3-U0-G2	10258	99	B3-U0-G2	10694	103	B3-U0-G2	10694	103	B3-U0-G2	

JOB NAME: \_\_\_\_\_  
 TYPE: \_\_\_\_\_  
 PART #: \_\_\_\_\_  
 NOTES: \_\_\_\_\_

**PERFORMANCE**

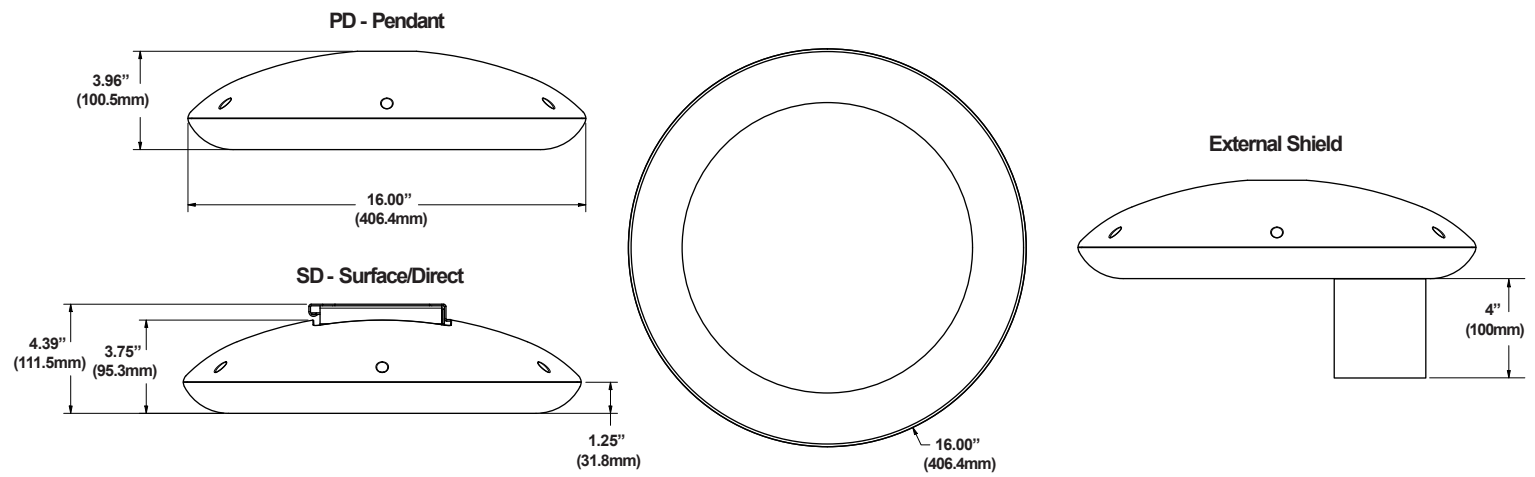
ELECTRICAL DATA*						
Lumens	120V	208V	240V	277V	347	480V
3L	0.18	0.11	0.09	0.08	0.06	0.05
5L	0.25	0.14	0.13	0.11	0.09	0.06
6L	0.32	0.18	0.16	0.14	0.11	0.08
8L	0.43	0.25	0.22	0.19	0.15	0.11
10L	0.55	0.32	0.28	0.24	0.19	0.14
12L	0.66	0.38	0.33	0.29	0.23	0.16
14L	0.86	0.50	0.43	0.37	0.30	0.21

\*Electrical data at 25C (77F). Actual wattage may differ by +/-10%.

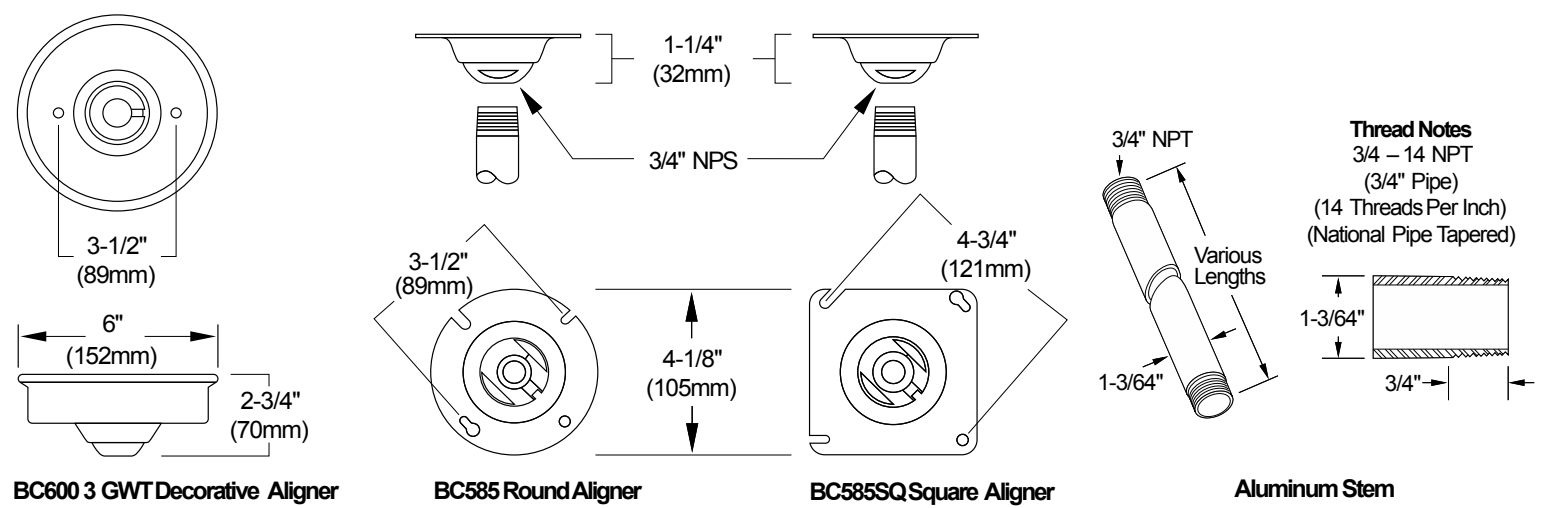
RECOMMENDED LUMEN MAINTENANCE (1)					
Ambient Temp	Lumen Multiplier				
	0 hrs. (2)	25K hrs. (2)	50K hrs. (2)	75K hrs. (3)	100K hrs. (3)
C					
0 C - 40 C	100%	99%	96%	93%	90%

1. Lumen maintenance values are calculated per TM-21 based on LM-80 data and in-situ luminaire testing.
2. In accordance with IESNA TM-21-11, Projected Values represent interpolated value based on time durations that are within six times (6X) the IESNA LM-80-08 total test duration (in hours) for the device under testing ((DUT) i.e. the packaged LED chip).
3. In accordance with IESNA TM-21-11, Calculated Values represent time durations that exceed six times NA LM-80-08 total test duration (in hours) for the device under testing ((DUT) i.e. the packaged LED chip).

**PRODUCT DIMENSIONS**





**Pendant/Stem Accessories**









**Thread Notes**  
 3/4 – 14 NPT  
 (3/4" Pipe)  
 (14 Threads Per Inch)  
 (National Pipe Tapered)

JOB NAME: \_\_\_\_\_  
 TYPE: \_\_\_\_\_  
 PART #: \_\_\_\_\_  
 NOTES: \_\_\_\_\_

**MOUNTING OPTIONS**

PENDANT MOUNT ACCESSORIES		
POST TOP	Single Classic Hook	
	Fits over standard 2 3/8" - 3" OD Tenon	
	Part Number: TMBL 1 CLR	
	2 @180° Classic Hook	
	Fits over standard 2 3/8" - 3" OD Tenon	
	Part Number: TMBL 2 CLR	

STEM	Spun Aluminium Decorative Shroud	
	Compatible with 3/4" Stem/Goosenecks/Hooks	
	Part Number: 770846CLR	
	Translucent Decorative Shroud (for Uplight)	
	Compatible with 3/4" Stem/Goosenecks/Hooks	
	Part Number: 770847	
	Top Decorative Box Cover Aligner	
	Compatible with 3/4" Stem	
	Part Number: BC600 3 CLR	
	Top Round Box Cover Aligner	
	Compatible with 3/4" Stem	
	Part Number: BC585 CLR	
	Top Square Box Cover Aligner	
	Compatible with 3/4" Stem	
	Part Number: BC585SQCLR	
3/4" Rigid Aluminum Stem		
Specify Stem Length: 6, 12, 18, 24, 36, 48 inches		
Part Number: ST_3 CLR		

WALL	2' Gooseneck Wall Bracket (Type A)	
	Mounts to standard J-Box	
	Part Number: GB-A-34 CLR	
	3' Gooseneck Wall Bracket (Type C)	
	Mounts to standard J-Box	
	Part Number: GB-C-34 CLR	
	2' Gooseneck Wall Bracket (Type H)	
	Mounts to standard J-Box	
	Part Number: GB-H-34 CLR	
	1' Gooseneck Wall Bracket (Type K)	
	Mounts to standard J-Box	
	Part Number: GB-K-34 CLR	
Contemporary Wall Bracket 1		
Mounts to standard J-Box		
Part Number: CWBM1 CLR		
Contemporary Wall Bracket 2		
Mounts to standard J-Box		
Part Number: CWBM2 CLR		

**CONTROLS**

**Integral Bluetooth™ Motion and Photocell Sensor (IMSBT)**

Slim low profile sensor provides multi-level control based on motion and/or daylight. Sensor controls 0-10 VDC LED drivers and is rated for cold and wet locations (-30° C to 70° C). Two unique PIR lenses are available and used based on fixture mounting height. All control parameters are adjustable via an iOS or Android App capable of storing and transmitting sensor profiles.

**AirLink Blue**

Wireless Bluetooth Mesh Outdoor Lighting Control System that provides energy savings, code compliance and enhanced safety/security for parking lots and parking garages. Three key components; Bluetooth wireless radio/sensor controller, Time Keeper and an iOS App. Capable of grouping multiple fixtures and sensors as well as scheduling time-based events by zone. Radio/Sensor Controller is factory integrated into Area/Site, Wall Mounted, Parking Garage and Canopy luminaires.