

SEECAEM

Chicago Approved Steel LED Emergency Unit

STANDARD



ILLUMINATION

- Two, 6V adjustable white LED lamp heads in metal housing and PC lens provide optimal light distribution.
- 3.3W (3 LEDs x 1.1W) per head with a light output of 335 lumens.

ELECTRICAL

- Dual 120/277 voltage.
- Unique bi-color LED indicator light alerts occupant on battery condition (Green-normal, Red-check battery).
- Charge rate/power "ON" LED indicator light and push-to-test switch for mandated code compliance testing.
- LVD (low voltage disconnect) prevents battery from deep discharge.
- 6V sealed lead acid, maintenance-free, rechargeable battery.
- Internal solid-state transfer switch automatically connects the internal battery to the LED lamp heads for minimum 90-minute emergency illumination.
- Fully automatic solid-state, two rate charger initiates battery charging to recharge a discharged battery in 24 hours.
- Remote capacity of 5.4W standard.

MOUNTING

- Knockouts on the back for wall mount.
- Side and top knockouts for conduit feed applications.

HOUSING

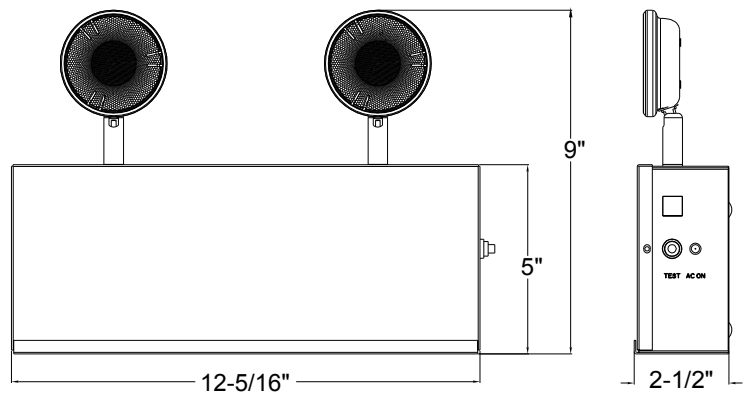
- Durable 20-gauge steel construction.
- White or black finish.



WARRANTY / LISTING

- Five year warranty on all electronics and housing. Battery pro rated for two years.
- UL Listed for damp locations (20°C – 50°C).
- Meets UL924, NFPA 101 Life Safety Code, NEC, OSHA, Local and State Codes.
- Meets City of Chicago requirements.

DIMENSIONS



ORDERING INFORMATION

MODEL	HOUSING COLOR	
SEECAEM	W	White
	B	Black

Sample Part Number:
SEECAEMW

JOB NAME: _____

TYPE: _____

PART #: _____

NOTES: _____

ELECTRICAL INFORMATION

CATALOG NUMBER	INPUT WATTS (W)		INPUT AMPS (A)	
	120V	277V	120V	277V
SEECAEM	8.4	9.4	0.08A	0.04A

REMOTE LAMP COMPATIBILITY

MODEL NUMBER	BATTERY	REMOTE CAPACITY	COMPATIBLE REMOTE HEAD FAMILY				
			RHLED	RH16LED	SRH		SRHLED
					6V	12V	
SEECAEM	6V	5.4W	X	X	X		X