

SEECARELZXTE

Chicago Approved Recessed Edgelit Aluminum Exit/Stairs Signs

STANDARD



ILLUMINATION

- Ultra-bright, energy efficient, long-lasting white LEDs provide uniform illumination.
- UV stabilized, silk screened acrylic panels provide consistent, uniform illumination.

ELECTRICAL

- Dual 120V/277 voltage.
- Charge rate/power "ON" LED indicator light and push-to-test switch for mandated code compliance testing.
- 4.8V Long-life, maintenance-free, rechargeable NiCd battery (EM models only).
- Internal solid-state transfer switch automatically connects the internal battery to LED board for minimum 120-minute emergency illumination.
- Fully automatic solid-state, two-rate charger initiates battery charging to recharge a discharged battery in 24 hours.

MOUNTING

- Compatible with drywall or drop-thru ceiling mount installations.
- Wall mount capability optional.

HOUSING

- Premium-grade, extruded aluminum housing.
- Extruded aluminum trim assembly is easily detachable, providing accessibility for service or maintenance. Also available in optional white finish.

Single or double face configurations.

ORDERING INFORMATION

MODEL	No. of FACES	LETTER	TRIM PLATE	BATTERY	SIGNAGE / DIRECTIONAL ARROWS	OPTIONS	
SEECARELZXTE	1	Single Face	RW Red On White	A Aluminum (blank)	AC-Only	-NA -S-NA - Exit No Arrow	WM Wall Mount ¹
	2	Double Face	W White	EM	Battery Backup	DA -S-DA - Stair No Arrow RA -S-RA - Exit Double Arrow LA -S-LA - Stair Double Arrow LARA -S- ¹ Exit Right Arrow Stair LARA ¹ Right Arrow Exit Left Arrow ¹ Stair Left Arrow ¹ Exit Left/Right Arrow ² Stair Left/Right Arrow ²	

¹ Available in single face configuration only.

² Available in double face configuration only.

Wall Mount option is shown in image below.



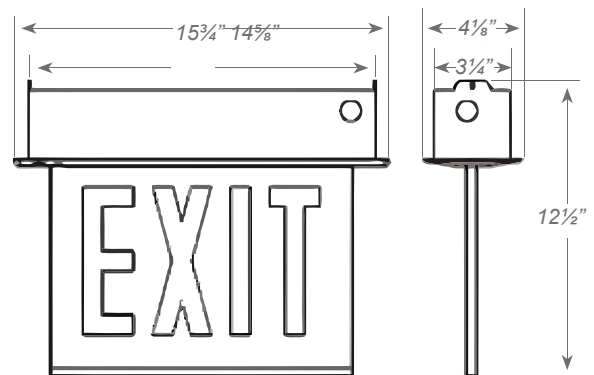
OPTIONS

- WM: Wall mount.

WARRANTY / LISTING

- Five year warranty on all electronics and housing. Battery prorated for five years.
- UL listed for damp locations (0° – 50°C).
- Meets UL924, NFPA101 Life Safety Code, NEC, OSHA, Local and State Codes.
- Meets city of Chicago sign and plenum requirements. Certified to CEC under Title 20

DIMENSIONS

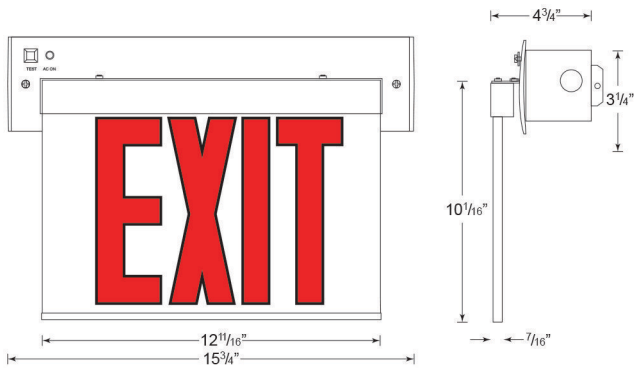


Sample Part Number: SEECARELZXTE1RWAEM-NA

ELECTRICAL INFORMATION

Catalog Number	Input Watts (W)		Input Amps (A)	
	120V	277V	120V	277V
AC Model	4.3	4.7	0.040A	0.02A
EM Model	4.5	4.9	0.042A	0.02A

WALL MOUNT DIMENSIONS



ARROW CONFIGURATION

