

## SEECARELZXTE

Chicago Approved Recessed Edgelit  
 Aluminum Exit/Stairs Signs

STANDARD



### ILLUMINATION

- Ultra-bright, energy efficient, long-lasting white LEDs provide uniform illumination.
- UV stabilized, silk screened acrylic panels provide consistent, uniform illumination.

### ELECTRICAL

- Dual 120V/277 voltage.
- Charge rate/power "ON" LED indicator light and push-to-test switch for mandated code compliance testing.
- 4.8V Long-life, maintenance-free, rechargeable NiCd battery (EM models only).
- Internal solid-state transfer switch automatically connects the internal battery to LED board for minimum 120-minute emergency illumination.
- Fully automatic solid-state, two-rate charger initiates battery charging to recharge a discharged battery in 24 hours.

### MOUNTING

- Compatible with drywall or drop-thru ceiling mount installations.
- Wall mount capability optional.

### HOUSING

- Premium-grade, extruded aluminum housing.
- Extruded aluminum trim assembly is easily detachable, providing accessibility for service or maintenance. Also available in optional white finish.
- Single or double face configurations.

Wall Mount option is shown in image below.



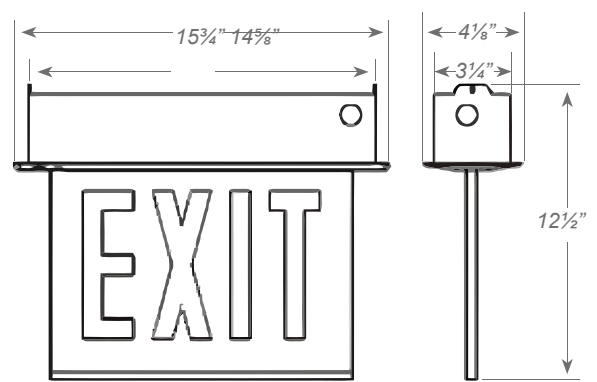
### OPTIONS

- WM: Wall mount.

### WARRANTY / LISTING

- Five year warranty on all electronics and housing. Battery prorated for five years.
- UL listed for damp locations (0° – 50°C).
- Meets UL924, NFPA101 Life Safety Code, NEC, OSHA, Local and State Codes.
- Meets city of Chicago sign and plenum requirements. Certified to CEC under Title 20

### DIMENSIONS



### ORDERING INFORMATION

Sample Part Number: SEECARELZXTE1RWAEM-NA

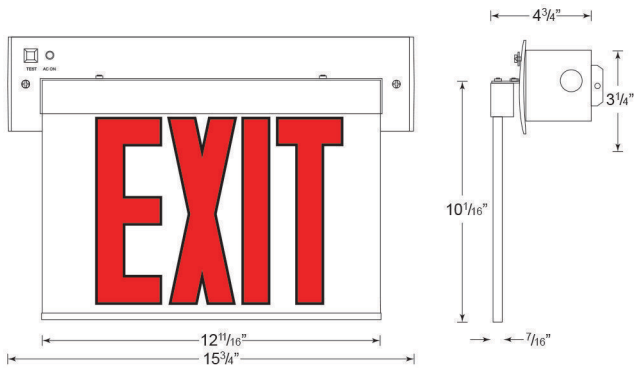
MODEL	No. of FACES	LETTER	TRIM PLATE	BATTERY	SIGNAGE / DIRECTIONAL ARROWS	OPTIONS
SEECARELZXTE	1 Single Face	RW Red On White	A Aluminum	(blank) AC-Only	-NA -S-NA - Exit No Arrow	WM Wall Mount <sup>1</sup>
	2 Double Face	W White	W White	EM Battery Backup	DA -S-DA - Stair No Arrow RA -S-RA - Exit Double Arrow LA -S-LA - Stair Double Arrow LARA -S- <sup>1</sup> Exit Right Arrow Stair LARA <sup>1</sup> Right Arrow Exit Left <sup>1</sup> Arrow <sup>1</sup> Stair Left Arrow <sup>2</sup> Exit Left/Right Arrow <sup>2</sup> Stair Left/Right Arrow	

<sup>1</sup> Available in single face configuration only.  
<sup>2</sup> Available in double face configuration only.

## ELECTRICAL INFORMATION

Catalog Number	Input Watts (W)		Input Amps (A)	
	120V	277V	120V	277V
AC Model	4.3	4.7	0.040A	0.02A
EM Model	4.5	4.9	0.042A	0.02A

## WALL MOUNT DIMENSIONS



## ARROW CONFIGURATION

