

# PCP-LKFS

## Lumen and Kelvin Field Selectable Canopy

### STANDARD



### FEATURES

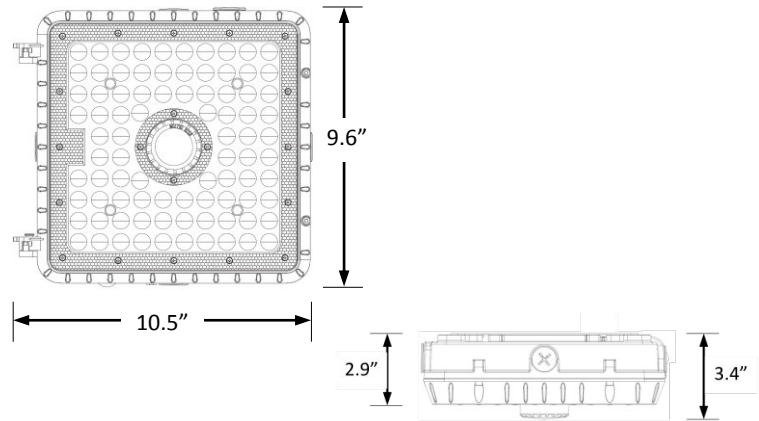
- Field selectable 3000k (warm white), 4000k (neutral white), and 5000k (cool white) color temperatures.\*
- Long-life LEDs provide 149,000 hours of operation with at least 70% of initial lumen output ( $L_{70}$ ), and 44,000 hours with at least 90% of initial lumen output ( $L_{90}$ \*\*).
- LED chromaticity based on  $\leq 6$ -step ANSI quadrangles.
- LED color maintenance  $\leq 0.002$  chromaticity shift ( $\Delta u'v'$ ) over the initial 6,000 hours of operation.
- PCP-10L-LKFS provides a range of 6,800 to 10,500 nominal lumens.\*
- Universal 120-277 AC voltage (50-60Hz) is standard.
- 0-10vdc dimming drivers are standard.
- Mounting options include surface-mounting and pendant-mounting using  $\frac{3}{4}$ " electrical conduit.
- Optional occupancy/daylight sensor provides both on/off and dimming functions.
- Power factor  $> 0.90$ .
- Total harmonic distortion  $< 20\%$ .
- Color rendering index  $> 80$ .
- Die cast aluminum housing with dark bronze or white powder coat finish.
- Polycarbonate lens.
- Easy installation in new construction or retrofit.

\* Contact factory for other color temperatures and lumen packages.  
 \*\*  $L_{70}$  &  $L_{90}$  hours are IES TM-21-11 calculated hours.

### WARRANTY & LISTINGS

- cULus listed for wet locations in ambient temperatures from  $-40^{\circ}\text{C}$  to  $40^{\circ}\text{C}$  ( $-40^{\circ}\text{F}$  to  $104^{\circ}\text{F}$ ).
- IP65 rated for ingress protection.
- Lens is IK08 rated for impact.
- DLC premium approved for Fuel Pump and Parking Garage categories.
- Complies with FCC Part 15, class B.
- Complies with IEC/EN61000-4-5, input transient surge immunity protection (4kV).
- 5-year warranty on all electronics and housing.

### DIMENSIONS



Weight: 5 lbs.

### ORDERING INFORMATION

Example: PCP-10L-LKFS-ODS-WHT

| Series | Nominal Lumen Output (Selectable) |                    | Kelvin Selectable |                   | Occupancy Sensor     | Housing Color   |     | Accessories (Order Separately) |              |                       |
|--------|-----------------------------------|--------------------|-------------------|-------------------|----------------------|---|-----|--------------------------------|--------------|-----------------------|
| PCP    | 10L                               | 10,000/8,000/7,000 | LKFS              | 3000k/4000k/5000k | ODS <sup>1 2 3</sup> | Microwave occupancy, dimming, & daylight sensor (factory installed) | BRZ | Bronze                         | MWAVEDHS-REM | Sensor remote control |
|        |                                   |                    |                   |                   | Blank                | No sensor   | WHT | White                          |              |                       |

<sup>1</sup> Remote control required for programming (sold separately).

<sup>2</sup> Default sensor settings: detection area = 100%, hold time = 20 minutes, stand-by period = 0 seconds, stand-by dimming level = 10%, daylight threshold = disabled

<sup>3</sup> Maximum mounting height = 49 feet.

**ELECTRICAL DATA**

| Series       | Measurements      | Low Lumens   |              |              | Mid Lumens   |              |              | High Lumens  |              |              |
|--------------|-------------------|--------------|--------------|--------------|--------------|--------------|--------------|--------------|--------------|--------------|
|              |                   | 3000K        | 4000K        | 5000K        | 3000K        | 4000K        | 5000K        | 3000K        | 4000K        | 5000K        |
| PCP-10L-LKFS | Lumens            | 6821         | 6962         | 7228         | 7800         | 8248         | 8312         | 9297         | 10,506       | 9967         |
|              | Watts             | 48           | 43           | 47           | 57           | 51           | 57           | 73           | 69           | 73           |
|              | Efficacy          | 143          | 163          | 152          | 137          | 161          | 147          | 127          | 152          | 136          |
|              | Input Current (A) | 120V = 0.40A | 120V = 0.36A | 120V = 0.39A | 120V = 0.48A | 120V = 0.43A | 120V = 0.48A | 120V = 0.61A | 120V = 0.58A | 120V = 0.61A |
|              |                   | 240V = 0.20A | 240V = 0.18A | 240V = 0.20A | 240V = 0.24A | 240V = 0.21A | 240V = 0.24A | 240V = 0.30A | 240V = 0.29A | 240V = 0.30A |
|              |                   | 277V = 0.17A | 277V = 0.16A | 277V = 0.17A | 277V = 0.21A | 277V = 0.18A | 277V = 0.21A | 277V = 0.26A | 277V = 0.25A | 277V = 0.26A |

**PHOTOMETRIC DATA**

**PCP-10L-LKFS**

**Luminaire Data**

|                             |                         |
|-----------------------------|-------------------------|
| Description                 | Canopy<br>10L 5K - LKFS |
| Total Lumens                | 9,993                   |
| Input Wattage               | 73                      |
| Efficacy (lm/W)             | 137                     |
| Spacing Criterion (0-180°)  | 1.14                    |
| Spacing Criterion (90-270°) | 1.04                    |

**Zonal Lumen Summary**

| Zone    | Lumens | %Fixt  |
|---------|--------|--------|
| 0-20°   | 1,245  | 12.5%  |
| 0-30°   | 2,530  | 25.3%  |
| 0-40°   | 3,946  | 39.5%  |
| 20-50°  | 4,143  | 41.5%  |
| 40-70°  | 4,839  | 48.4%  |
| 0-60°   | 6,942  | 69.5%  |
| 0-80°   | 9,872  | 98.8%  |
| 0-90°   | 9,993  | 100.0% |
| 90-180° | 0      | 0.0%   |
| 0-180°  | 9,993  | 100.0% |

