

PNL1X4-LKFS

1X4 Back-Lit LED Panel - LKFS

STANDARD



FEATURES

- Field selectable 3500k (warm/neutral white), 4000k (neutral white), & 5000k (cool white) color temperatures.*
- Long-life LEDs provide 144,000 hours of operation with at least 70% of initial lumen output (L_{70}), and 44,000 hours with at least 90% of initial lumen output (L_{90}).**
- Selectable lumen outputs range from 2,600 to 4,000 nominal lumens.*
- Uniform illumination with no visible LED pixilation.
- Universal 120-277 AC voltage (50-60Hz) is standard.
- 0-10vdc dimming drivers are standard.
- Power factor > 90.
- Total harmonic distortion < 20%.
- Color rendering index > 80.
- Aluminum frame and steel housing backplate.
- PMMA (polymethylmethacrylate) LED lenses for optimal light distribution, efficiency and longevity.
- Easy installation in new construction or retrofit.
- Standard earthquake clips provide secure installation in grid ceilings.
- Optional emergency drivers (remote mounted) are available.
- Standard mounting options include recessed mounting in grid ceilings, or suspended mounting using attached hanging brackets. For mounting in plaster or other hard ceiling, see Mounting Kits.

* Contact factory for other color temperatures and lumen packages.

** L_{70} hours are IES TM-21-11 calculated hours.



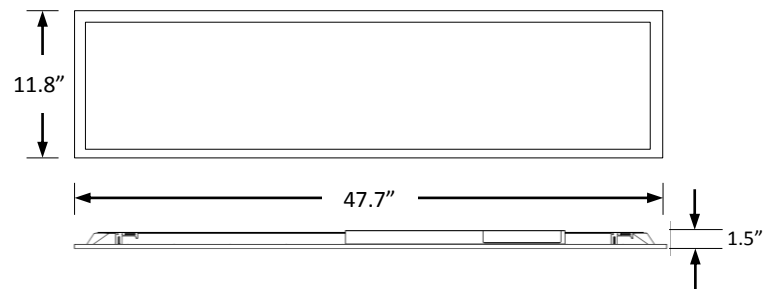
WARRANTY & LISTINGS

- cULus for damp locations and insulated ceilings (Type IC-rated). Suitable for ambient temperatures from -20°C to 40°C (-4°F to 104°F).
- DLC approved.
- Flicker-free per IEEE1789-2015 (no observable adverse effects of flicker at 100% light output level).
- Complies with FCC Part 15, class B.
- Surge immunity protection = 1kV.
- 5-year warranty of all electronics and housing.

MOUNTING KITS

- Optional Surface Mount Kits (SMKT-14) and Flange Mounting Kits (FLANGEKIT14-ET) provide for installation on plaster or other hard ceilings.
- Optional Cable Mounting Kits (PNL-CMK) provide additional security, as well as suspended mounting.

DIMENSIONS



Weight: 6 lbs.

ORDERING INFORMATION

Example: PNL1X4-40L-LKFS

| Series | Maximum Lumens | Lumen Output/ Color Temperature | | Accessories | | |
|--------|----------------|------------------------------------|----------------|-------------|-----------|-----------------------------|
| | | Selectable Lumens | Selectable CCT | | | |
| PNL1X4 | 40L | LKFS* | | | DWS-010-T | 0-10v dimmer, toggle switch |
| | | | 2,600 lm | 3500K | DWS-010-D | 0-10v dimmer, decora switch |
| | | | 3,400 lm | 4000K | IP710-DLZ | 0-10v dimmer, buÅon switch |
| | | *Field selectable | 4,000 lm | 5000K | | |

ELECTRICAL DATA

| Series | Measurements | Low Lumens | | | Mid Lumens | | | High Lumens | | |
|--------------|-------------------|--------------|--------------|--------------|--------------|--------------|--------------|--------------|--------------|--------------|
| | | 3500K | 4000K | 5000K | 3500K | 4000K | 5000K | 3500K | 4000K | 5000K |
| PNL1X4-LKFS | Lumens | 2584 | 2729 | 2656 | 3425 | 3713 | 3531 | 4085 | 4342 | 4218 |
| | Watts | 20 | 19 | 20 | 28 | 27 | 28 | 35 | 33 | 34 |
| | Efficacy | 127 | 140 | 132 | 122 | 137 | 127 | 117 | 131 | 123 |
| | Input Current (A) | 120V = 0.17A | 120V = 0.16A | 120V = 0.17A | 120V = 0.23A | 120V = 0.23A | 120V = 0.23A | 120V = 0.29A | 120V = 0.28A | 120V = 0.28A |
| 240V = 0.08A | | 240V = 0.08A | 240V = 0.08A | 240V = 0.12A | 240V = 0.11A | 240V = 0.12A | 240V = 0.15A | 240V = 0.14A | 240V = 0.14A | |
| 277V = 0.07A | | 277V = 0.07A | 277V = 0.07A | 277V = 0.10A | 277V = 0.10A | 277V = 0.10A | 277V = 0.13A | 277V = 0.12A | 277V = 0.12A | |

PHOTOMETRIC DATA

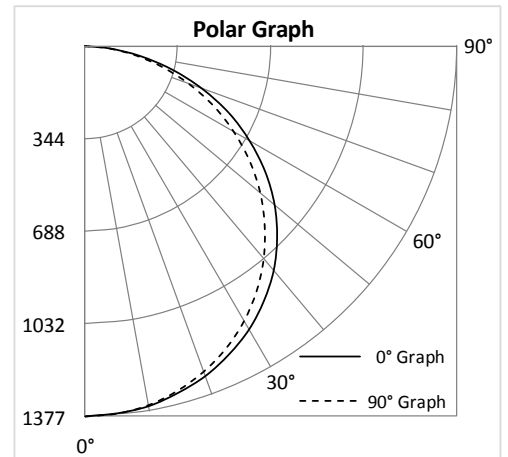
PNL1X4-40L-LKFS

Luminaire Data

| | |
|--------------------------------|-------------------------------------|
| Description | Back Lit Panel 1X4 40L 5K - LKFS |
| Total Lumens | 4,218 |
| Input WaÁage | 34 |
| Efficacy (lm/W) | 123 |
| Spacing Criterion (0-180°) | 1.32 |
| Spacing Criterion (90-270°) | 1.28 |

Zonal Lumen Summary

| Zone | Lumens | %Fixt |
|---------|--------|--------|
| 0-20° | 506 | 12.0% |
| 0-30° | 1,085 | 25.7% |
| 0-40° | 1,796 | 42.6% |
| 20-50° | 2,044 | 48.4% |
| 40-70° | 1,995 | 47.3% |
| 0-60° | 3,246 | 77.0% |
| 0-80° | 4,117 | 97.6% |
| 0-90° | 4,213 | 99.9% |
| 90-180° | 5 | 0.1% |
| 0-180° | 4,218 | 100.0% |



COMPATIBLE EMERGENCY DRIVERS*

| Emergency Driver Part Number | EM5 | | EM10 | | EM13 | | Runtime |
|------------------------------|------|-----------|------|-----------|------|-----------|----------|
| Model | WaÁs | EM Lumens | WaÁs | EM Lumens | WaÁs | EM Lumens | |
| PNL1X4-40L-LKFS | 5 | 650 | 10 | 1300 | 13 | 1690 | 90 MINS. |

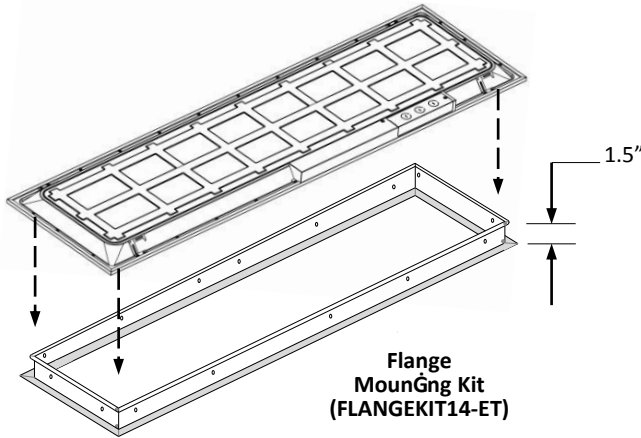
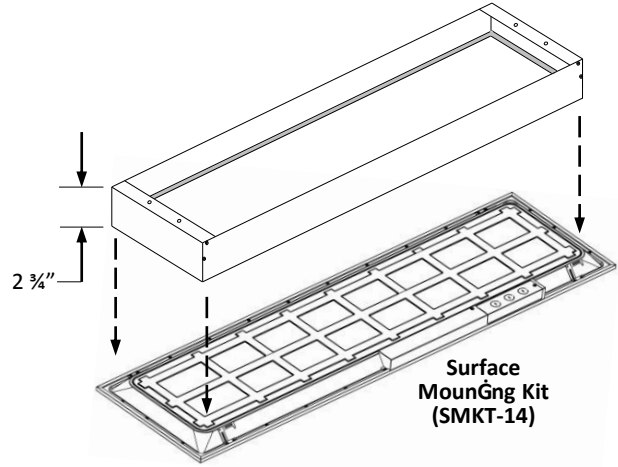
* Remote mount only.
 * Suitable for ambient temperatures above 0°C (32°F).

COMPATIBLE DIMMERS & CONTROLS

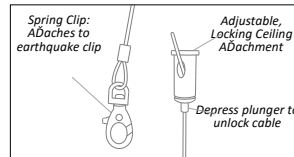
| Manufacture | Model Number | Dimming Range | Load Switching Capacity |
|---------------|--------------|---------------|-------------------------|
| Best Lighting | DWS-010V-T | 10%-100% | 600W |
| Best Lighting | DWS-010V-D | 10%-100% | 600W |
| Leviton | IP710-LFZ | 10%-100% | 1200W |
| Lutron | DVSTV | 10%-100% | 450W |

MOUNTING MEANS – ORDER SEPARATELY

- Optional surface mounting kits (SMKT-14) mounts below the ceiling.
- Optional flange mounting kits provide for recessed installation on plaster or other hard ceilings. Attach Flange Mount Kit (FLANGEKIT14-ET) to ceiling joists or other stationary structures, and the panel is mounted flush to the ceiling.
- Optional cable mounting kits provide additional security, as well as suspended mounting. Attach one end of the Cable Mount Kit (PNL-CMK) to luminaire earthquake clips using spring clips, and attach the other end to stationary structures using the adjustable, locking ceiling attachment (see picture below right).



Cable Mounting Kit (PNL-CMK)



Cable Mount Kit:

- Spring Clip
- Adjustable, locking ceiling attachment