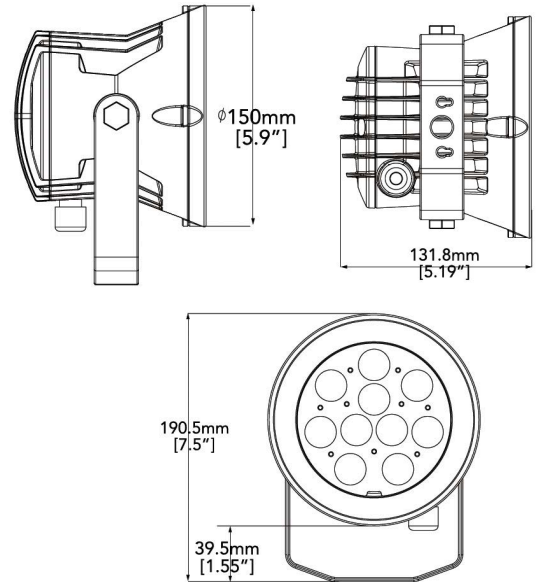


PDDL320

DOCK LIGHT SERIES

PRODUCT SPECIFICATIONS

SYSTEM WATTAGE	23W
LUMENS	2900LM
EFFICACY	UP TO 126LPW
INPUT VOLTAGE	120V
CCT	4000K
CRI	> 70
WEIGHT	3.85lbs
AMBIENT TEMP.	-30 - 40°C
LED Performance	L70>50000h
STANDARD WARRANTY	5 Years



PRODUCT FEATURES

- Impact & weather resistant fixture with die cast housings and tempered glass lenses
- Individual optics for controlled beam
- Optional wall mount arm with different lengths(42" and 60")
- High quality chip and driver @ 5 year warranty



CATALOG NUMBER Example: (PDDL320-23W-40K-V7-N-ST-YE-42)

MODEL	WATTAGE	CCT	VOLTAGE	DIMMING OPTION	MECHANICAL ACCESSORIES	HOUSING FINISH	MOUNTING
PDDL320	23W	40K = 4000K	V7 = 120V	N = Non-Dimming	WG = Wire Guard ST = Standard	BZ = Bronze WH = White BK = Black SL = Silver GY = Gray YE = Yellow	60 = 60" Arm 42 = 42" Arm NA = None

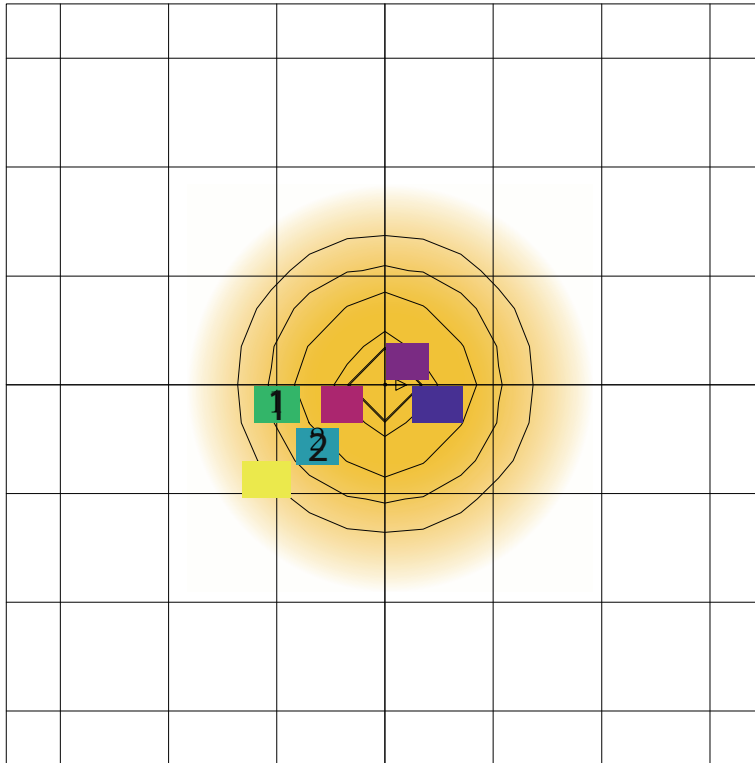
MOUNTINGS/ACCESSORIES

DLL320-42ARM/42" DOCK LIGHT ARM



PHOTOMETRY

PHOTOMETRY PDDL-320-23W-2HX2V
 Mounting Height=10.00 FT



SCALE: 1 INCH = 10 FT.
 LIGHT LOSS FACTOR = 1.00
 MAXIMUM CALCULATED VALUE = 237.42 FC
 FOOT CANDLE= 