

SEEMRHLED

LED Outdoor Polycarbonate Remote Head

illumination:

- Long lasting, efficient, ultra bright white LED lamp heads.
- 0.5 watt (1 LEDs x 0.5 watt) per head.
- Unique all-inclusive lamp, diffuser and lens assembly.
- Adjustable LED lamp heads provide optimal center-to-center spacing.

Electrical: Powered from low voltage power source with low voltage wiring (not provided).

Mounting:

- Universal mounting adapter plate included. Mounts to single-gang switch box.
- Distance of maximum run is determined by system voltage, wire gauge and total maximum wattage on the run.
- Suitable for wall or ceiling mount.

Housing:

- Engineering grade, high-impact resistant polycarbonate housing.
- Sealed and gasketed in standard gray or black finish.

Warranty/Listing:

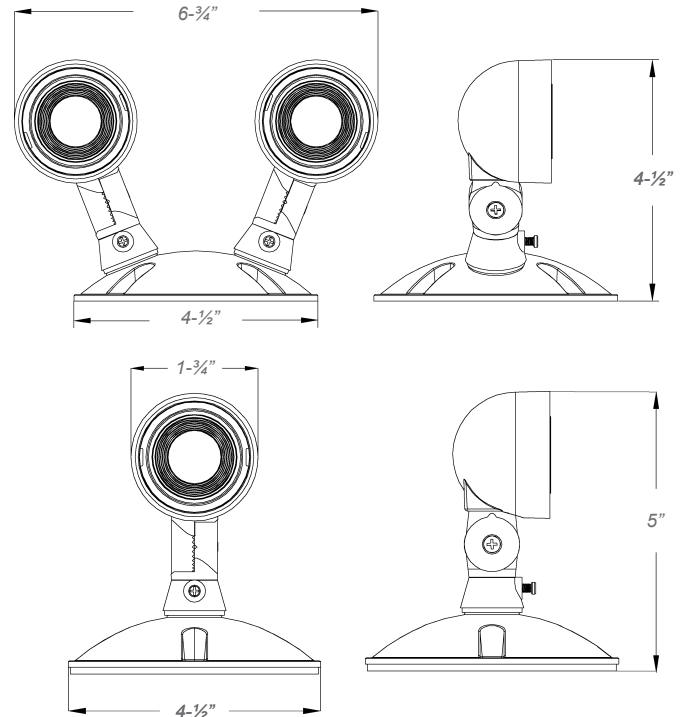
- Five year warranty.
- cULus Listed for wet locations (-30°C - 50°C).
- Meets UL924, NFPA 101 Life Safety Code, NEC, OSHA, Local and State Codes.



Fixture Compatibility List

Reference individual unit equipment specification sheets for remote load capacity availability.

Emergensee Model Type		
SEECEU-RC	SEEXDCC-RC	SEEM-RC
SEECEM-RC	SEELEDE1-RC	SEECTXTE-RC



Sample Part Number: **SEEMRHLED1-PWP-3.6V**

ORDERING INFORMATION

MODEL	No. of HEADS	COLOR	HOUSING	VOLTAGE
SEEMRHLED	1 Single Head	(blank) Gray	PWP	3.6V For Use With 3.6V DC Power Source
	2 Double Head	B Black	Thermoplastic	